

These drawings are property of BILDA NZ Ltd. They must not be copied in any form or passed on to a third party without written consent.

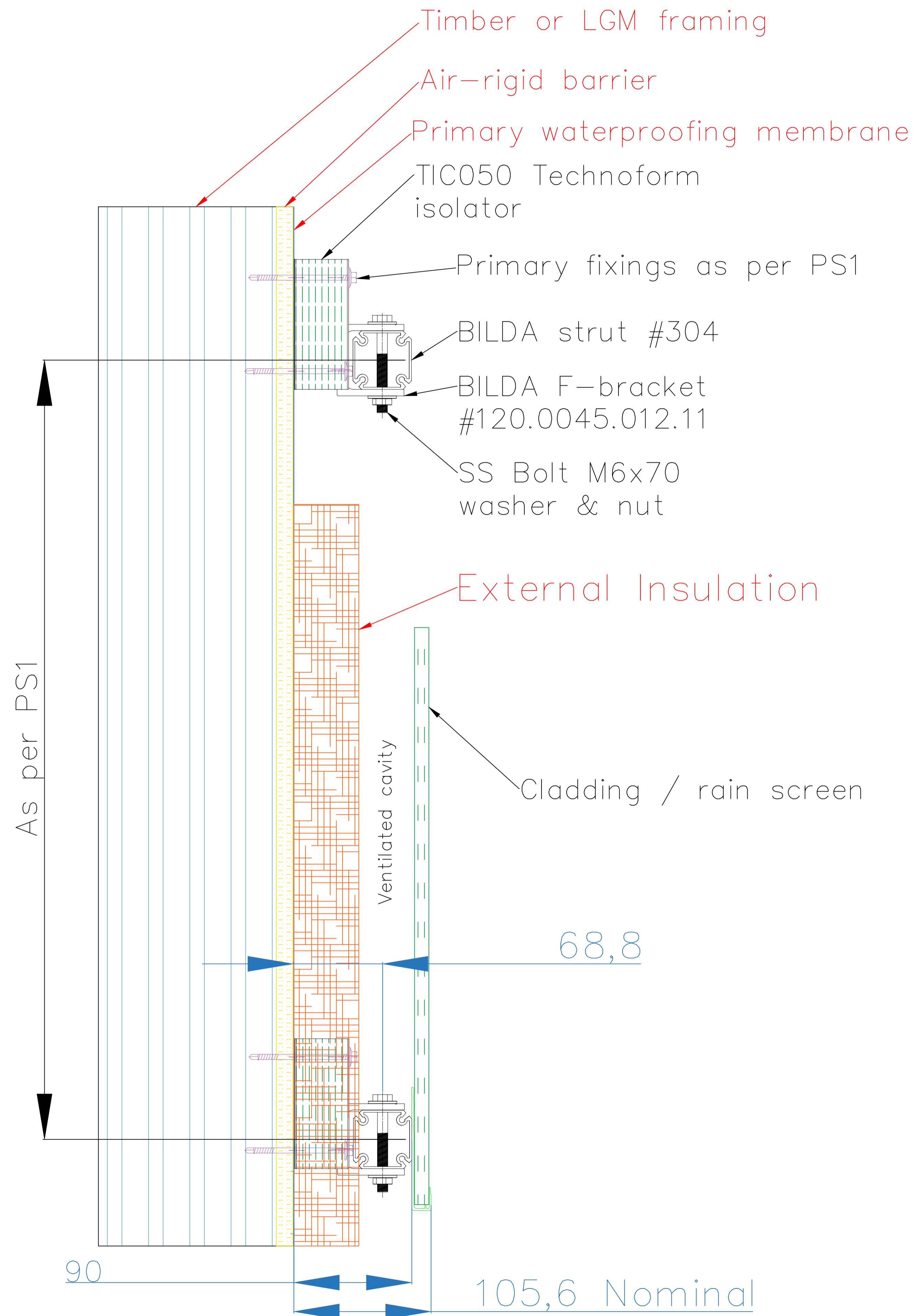
General Notes

No.	Revision/Issue	Date

Firm Name and Address  
 BILDA NZ  
 PO Box 54281  
 The Marine  
 Auckland 2012

Project Name and Address  
 BILDA NZ  
 Generic Details  
 Thermal Break  
 Technoform Isolator

Project	Sheet
Date 19.11.2023	01
Scale 1:2 @ A3	



These drawings are property of  
 BILDA NZ Ltd. They must not  
 be copied in any form or passed  
 on to a third party without  
 written consent.

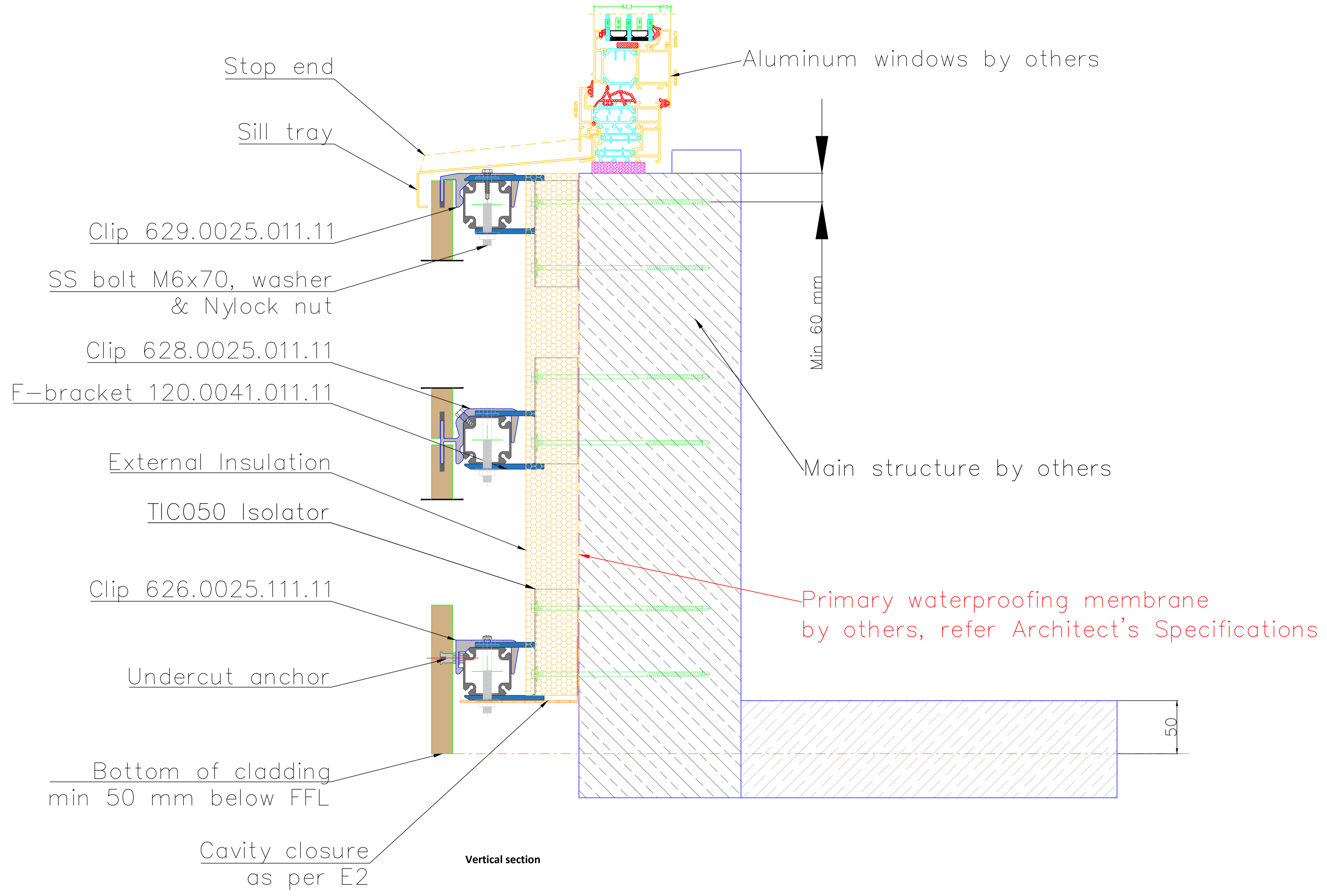
General Notes

No.	Revision/Issue	Date

Firm Name and Address  
 BILDA NZ  
 PO Box 54281  
 The Marine  
 Auckland 2012

Project Name and Address  
 BILDA NZ  
 Generic Details  
 Thermal Break  
 Technoform Isolator

Project	Sheet
Date 19.11.2023	02
Scale 1:2 @ A3	



These drawings are property of BILDA NZ Ltd. They must not be copied in any form or passed on to a third party without written consent.

General Notes

No.	Revision/Issue	Date

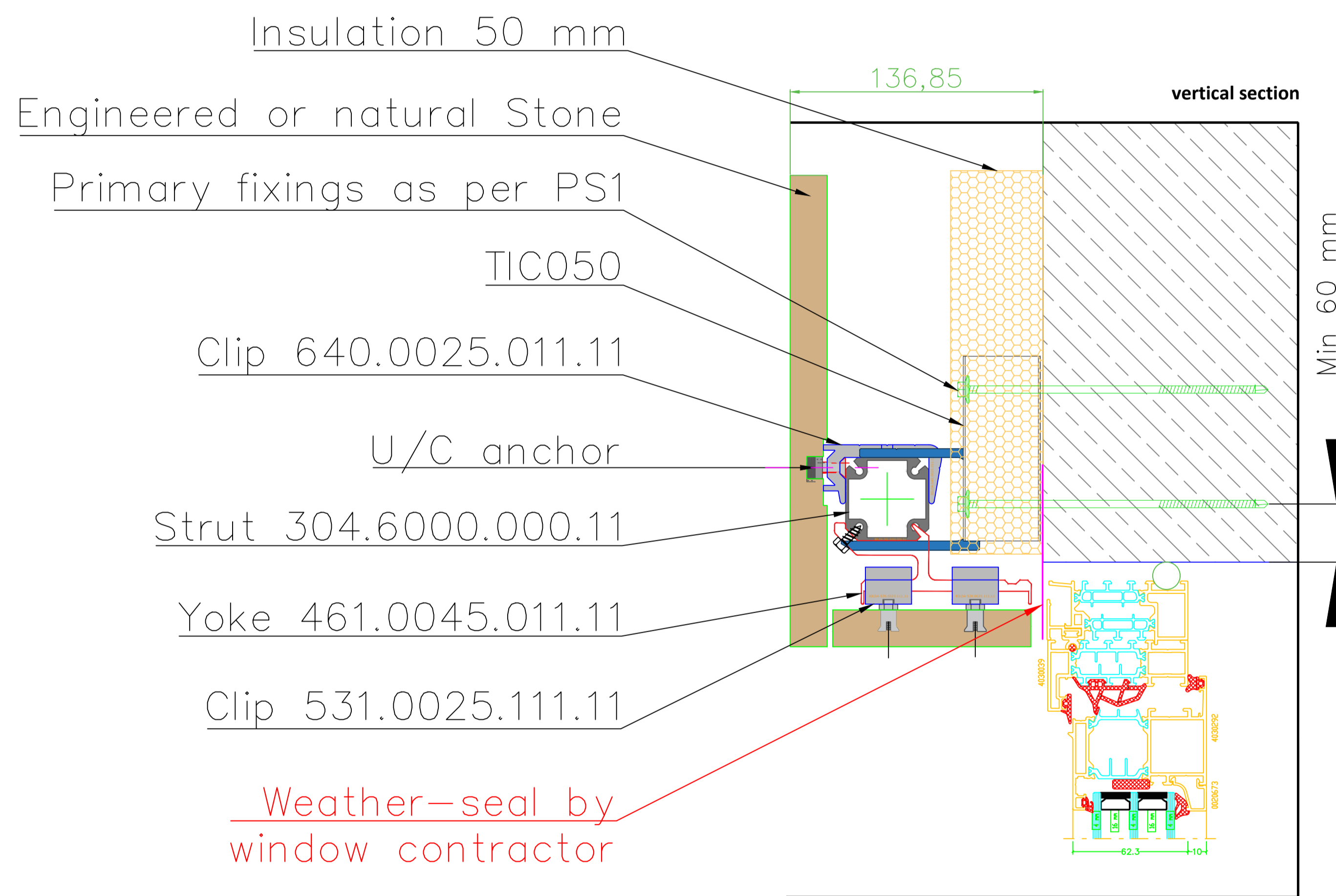
Firm Name and Address

BILDA NZ  
PO Box 54281  
The Marine  
Auckland 2012

Project Name and Address

BILDA NZ  
Generic Details  
Thermal Break  
Technoform Isolator

Date	19.11.2023	Sheet	03
Scale	1:2 @ A3		



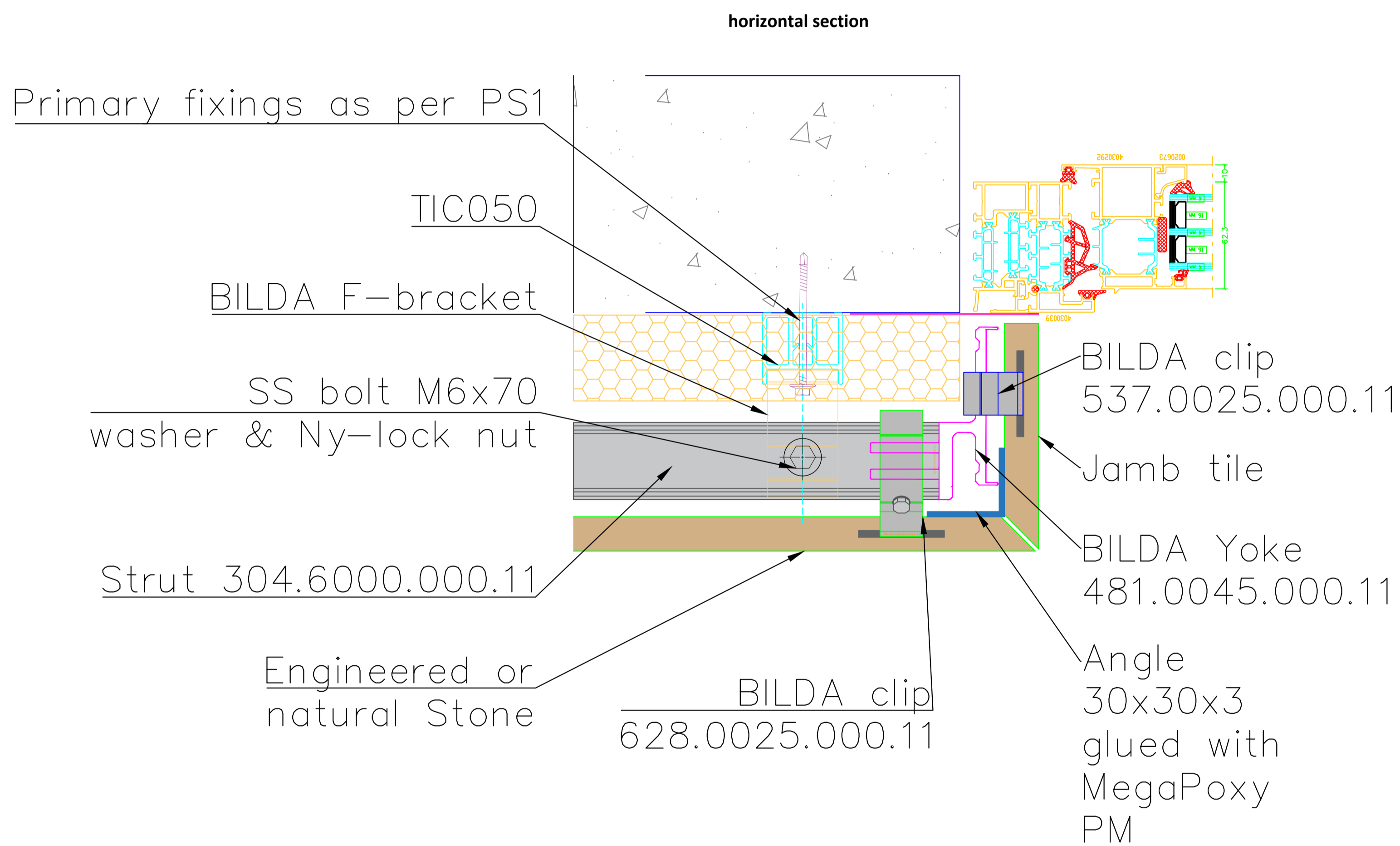
These drawings are property of BILDA NZ Ltd. They must not be copied in any form or passed on to a third party without written consent.

No.	Revision/Issue	Date

Firm Name and Address  
BILDA NZ  
PO Box 54281  
The Marine  
Auckland 2012

Project Name and Address  
BILDA NZ  
Generic Details  
Thermal Break  
Technoform Isolator

Project	Sheet
Date 19.11.2023	04
Scale 1:2 @ A3	



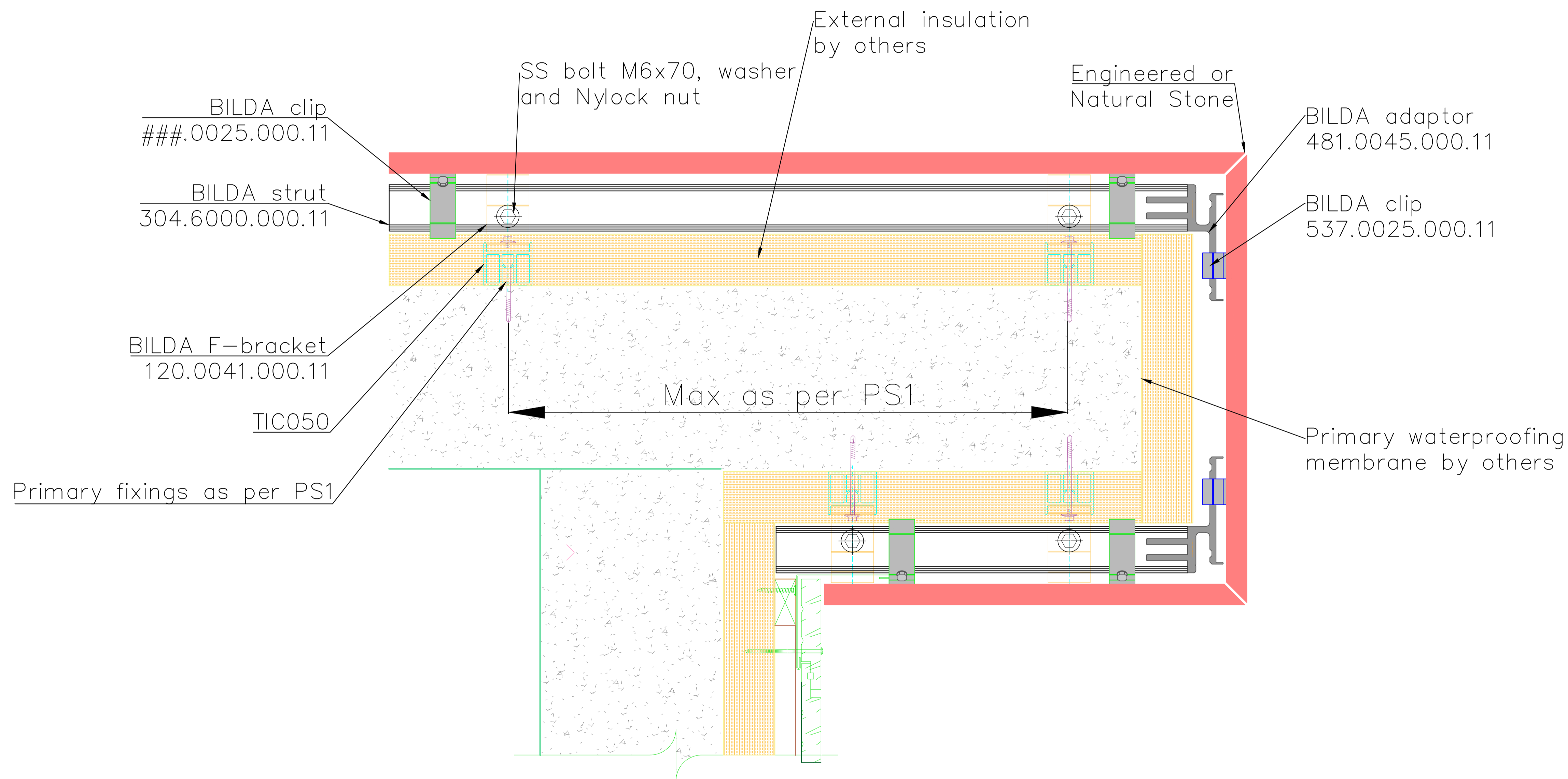
These drawings are property of BILDA NZ Ltd. They must not be copied in any form or passed on to a third party without written consent.

No.	Revision/Issue	Date

Firm Name and Address  
BILDA NZ  
PO Box 54281  
The Marine  
Auckland 2012

Project Name and Address  
BILDA NZ  
Generic Details  
Thermal Break  
Technoform Isolator

Project	Sheet
Date 19.11.2023	05
Scale 1:2 @ A3	



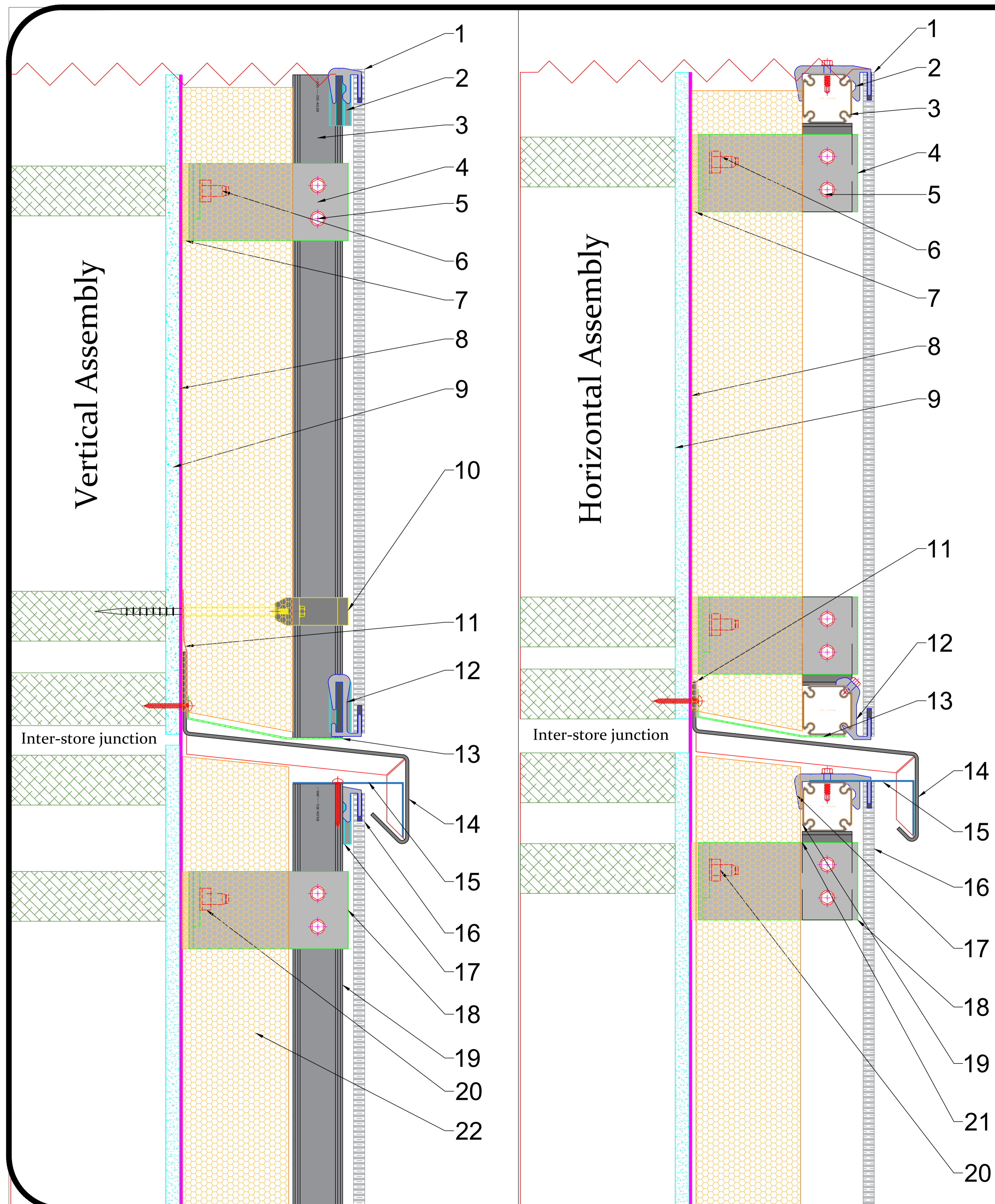
These drawings are property of  
BILDA NZ Ltd. They must not  
be copied in any form or passed  
on to a third party without  
written consent.

No.	Revision/Issue	Date

Firm Name and Address  
BILDA NZ  
PO Box 54281  
The Marine  
Auckland 2012

Project Name and Address  
BILDA NZ  
Generic Details  
Thermal Break  
Technoform Isolator

Project	Sheet
Date 19.11.2023	06
Scale 1:2 @ A3	



These drawings are property of BILDA NZ Ltd. They must not be copied in any form or passed on to a third party without written consent.

Primary WP membrane turned into window opening and sealed as per manufacturer specifications

- Key Legend**
1. Ceramic tile
  2. Yoke / clip connection
  3. Strut 45x45
  4. Dead-load bracket
  5. SS screws 12gx25
  6. Primary fixings as per PS1
  7. Thermal break-pad
  8. Primary WP membrane
  9. Air-rigid barrier
  10. Wind-load bracket
  11. Flashing tape
  12. Yoke / clip connection
  13. Perforated cavity closer
  14. Inter-store flashing
  15. Support clip/flashing
  16. Ceramic tile
  17. Yoke / clip connection
  18. Dead-load bracket
  19. Strut 45x45
  20. Primary fixings as per PS1
  21. Traverse connector
  22. External Insulation

General Notes

No.	Revision/Issue	Date

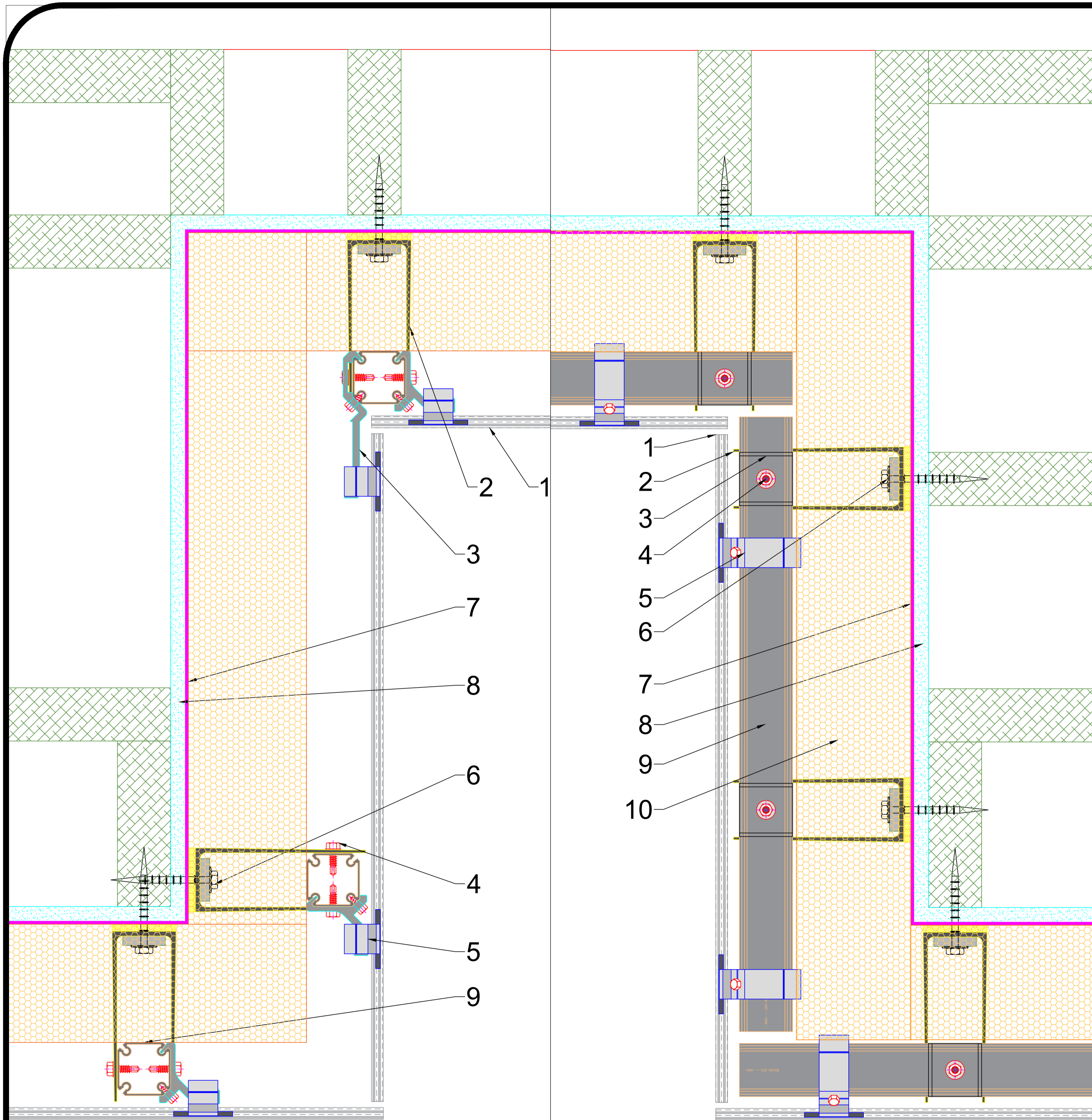
Firm Name and Address  
 BILDA NZ  
 PO Box 54281  
 The Marine  
 Auckland 2012

Project Name and Address  
 BILDA NZ  
 Generic Details  
 Inter-store detail

Project	Sheet
Date 15/11/2023	01
Scale 1:2 @ A3	

These drawings are property of BILDA NZ Ltd. They must not be copied in any form or passed on to a third party without written consent.

Primary WP membrane turned into window opening and sealed as per manufacturer specifications



Vertical Assembly

Horizontal Assembly

### Key Legend

- |                               |
|-------------------------------|
| 1. Ceramic tile               |
| 2. Dead-load bracket          |
| 3. Traverse / Yoke connection |
| 4. SS screws 12gx25           |
| 5. Clip                       |
| 6. Primary fixings as per PS1 |
| 7. Primary WP membrane        |
| 8. Air-rigid barrier          |
| 9. Strut #304                 |

No.	Revision/Issue	Date

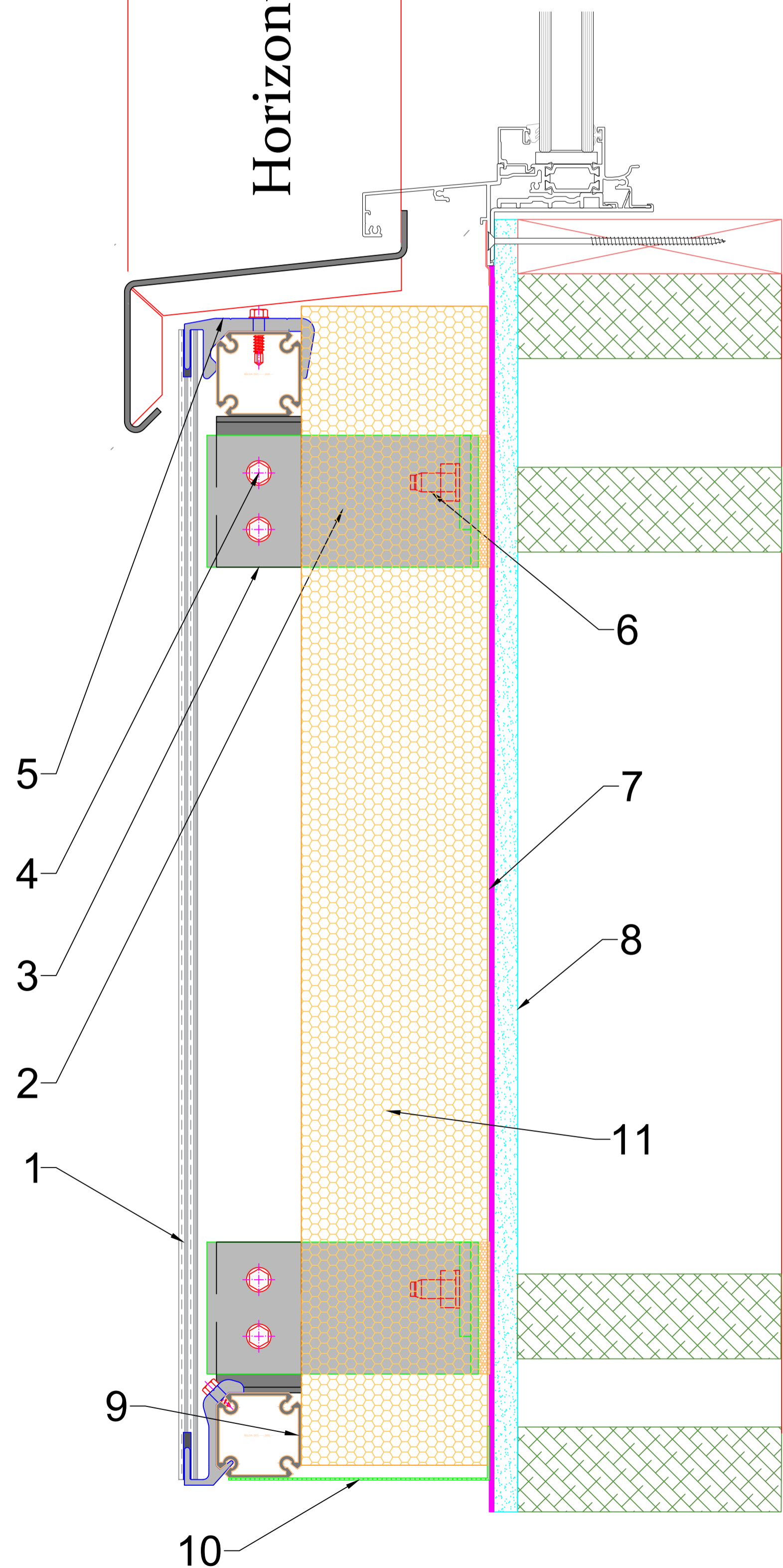
Firm Name and Address  
 BILDA NZ  
 PO Box 54281  
 The Marine  
 Auckland 2012

Project Name and Address  
 BILDA NZ  
 Generic Details  
 Corners

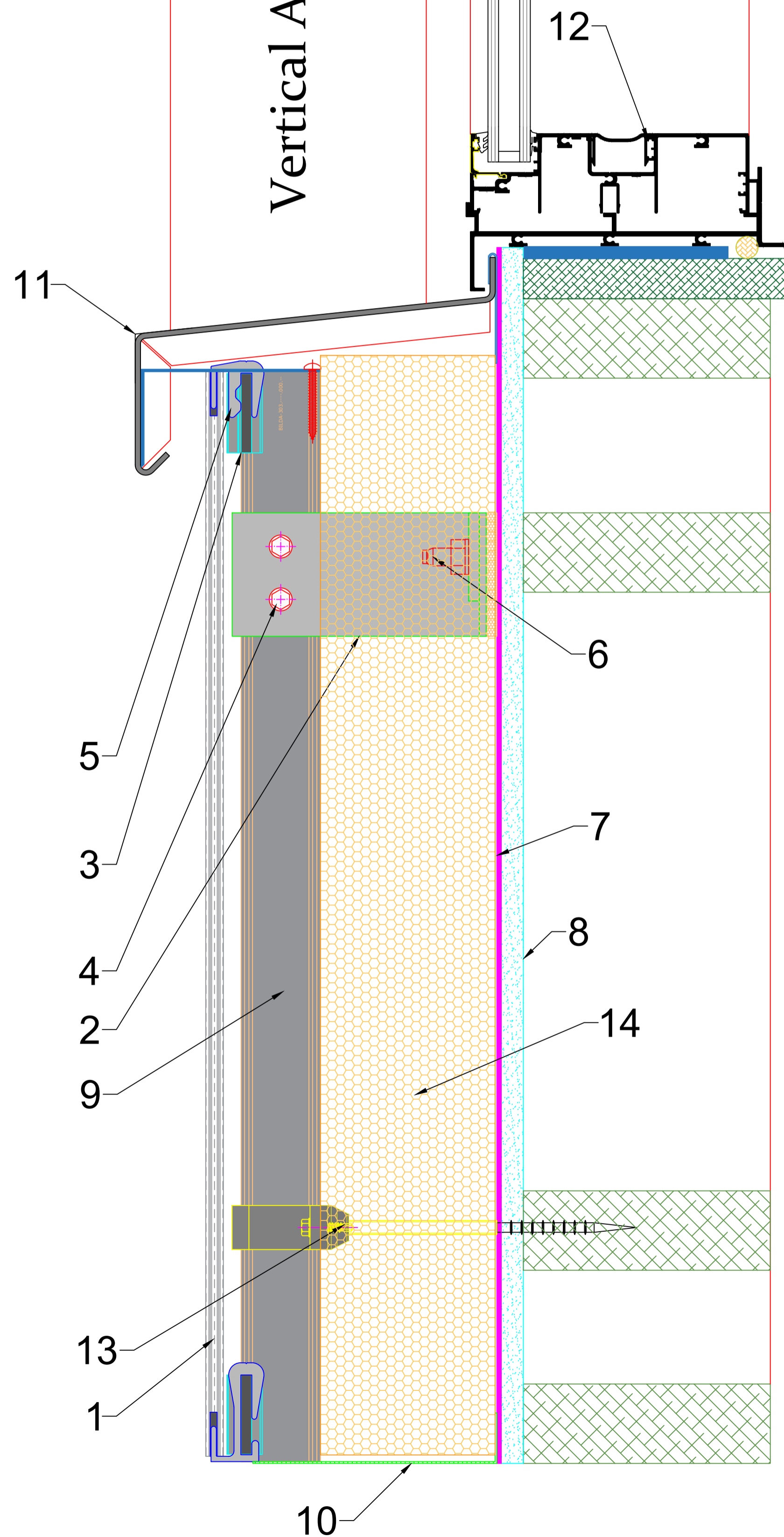
Project	Sheet
Date 15/11/2023	02
Scale 1:2 @ A3	



### Horizontal Assembly



### Vertical Assembly



These drawings are property of BILDA NZ Ltd. They must not be copied in any form or passed on to a third party without written consent.

Primary WP membrane turned into window opening and sealed as per manufacturer specifications

### Key Legend

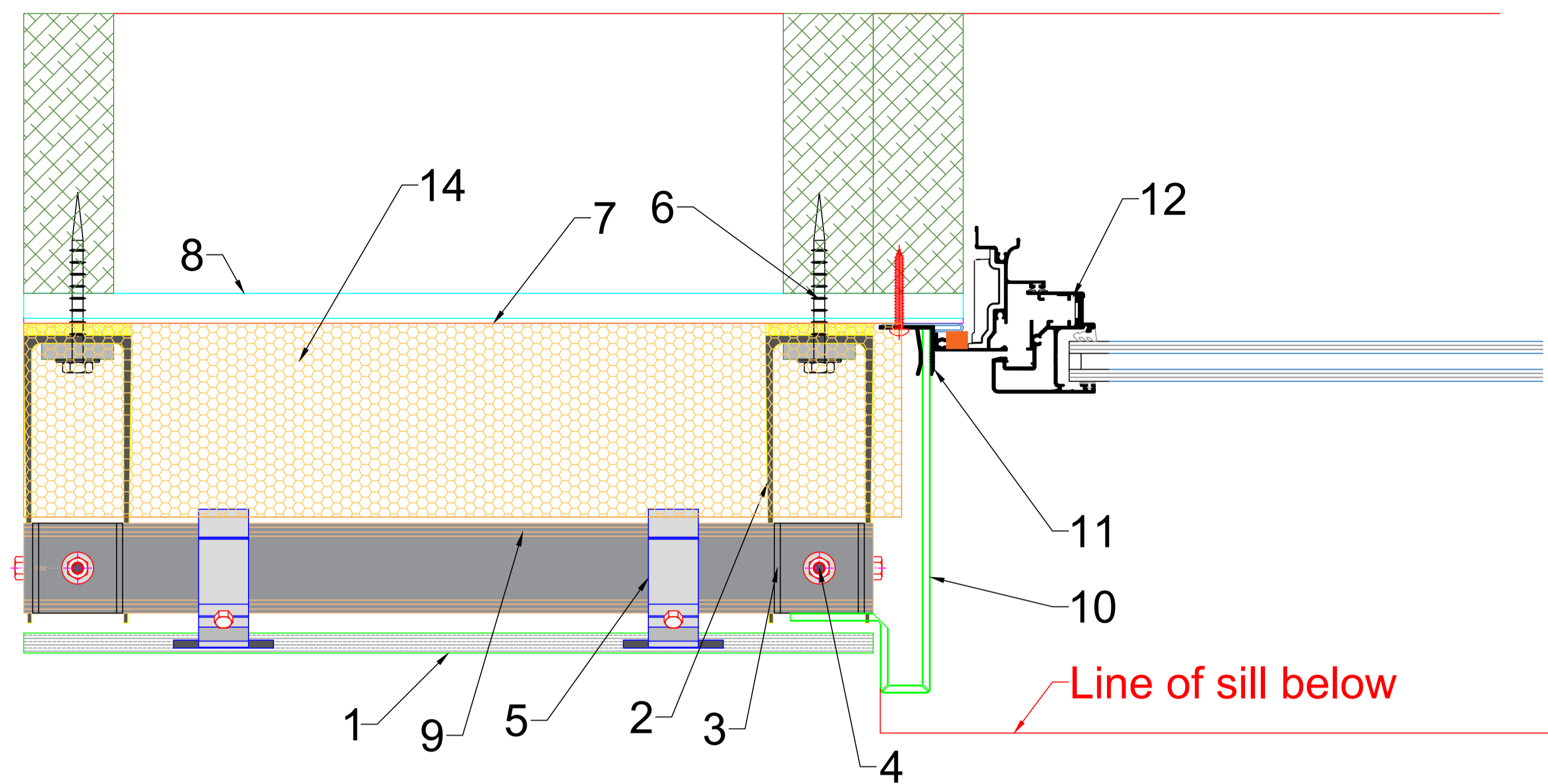
- |                                  |
|----------------------------------|
| 1. Ceramic tile                  |
| 2. Dead-load bracket             |
| 3. Traverse / Yoke connection    |
| 4. SS screws 12gx25              |
| 5. Clip                          |
| 6. Primary fixings as per PS1    |
| 7. Primary WP membrane           |
| 8. Air-rigid barrier             |
| 9. Strut #304                    |
| 10. Perforated cavity closer     |
| 11. Sill flashing with stop ends |
| 12. Window                       |
| 13. Wind-load bracket            |
| 14. External Insulation          |

No.	Revision/Issue	Date

Firm Name and Address  
 BILDA NZ  
 PO Box 54281  
 The Marine  
 Auckland 2012

Project Name and Address  
 BILDA NZ  
 Generic Details  
 Sill details

Project	Sheet
Date 15/11/2023	03
Scale 1:2 @ A3	



These drawings are property of BILDA NZ Ltd. They must not be copied in any form or passed on to a third party without written consent.

Primary WP membrane turned into window opening and sealed as per manufacturer specifications

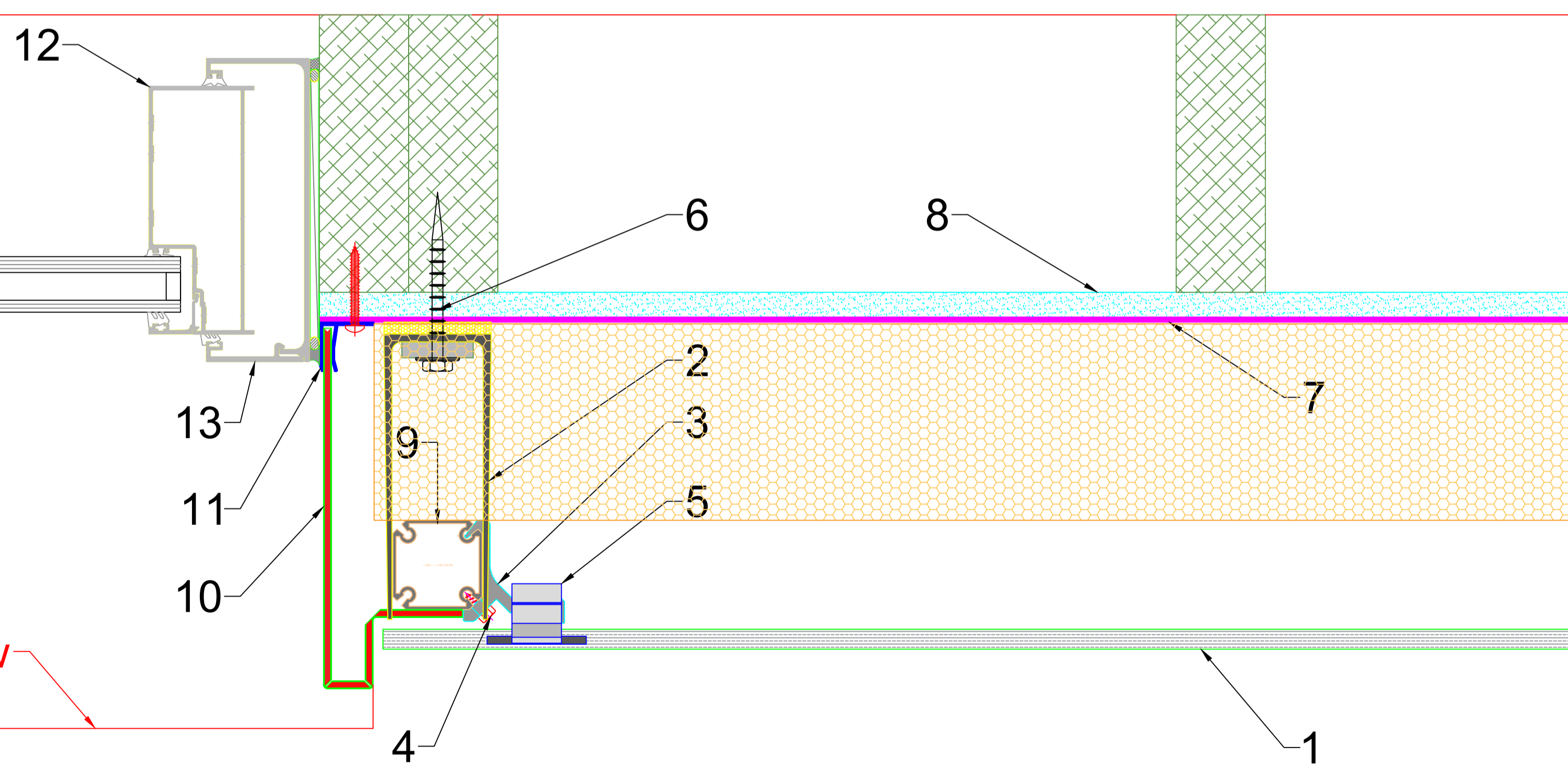
### Key Legend

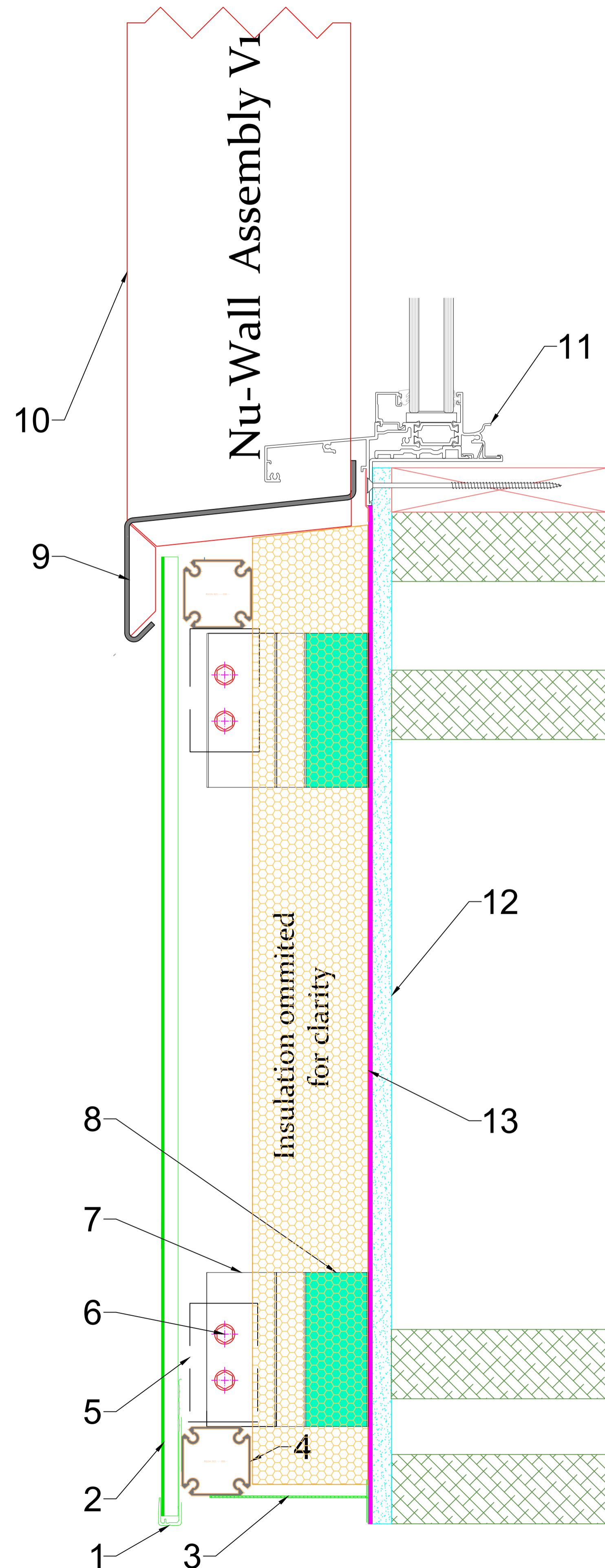
- 1. Ceramic tile
- 2. Dead-load bracket
- 3. Traverse / Yoke connection
- 4. SS screws 12gx25
- 5. Clip
- 6. Primary fixings as per PS1
- 7. Primary WP membrane
- 8. Air-rigid barrier
- 9. Strut #304
- 10. Jamb flashing
- 11. U-clip for jamb flashing
- 12. Window
- 13. Seismic frame

General Notes

No.	Revision/Issue	Date
Firm Name and Address		
BILDA NZ PO Box 54281 The Marine Auckland 2012		
Project Name and Address		
BILDA NZ Generic Details Jamb details		
Project	Sheet	
Date	04	
Scale	1:2 @ A3	

Line of sill below





These drawings are property of BILDA NZ Ltd. They must not be copied in any form or passed on to a third party without written consent.

Primary WP membrane turned into window opening and sealed as per manufacturer specifications

### Key Legend

- |                               |
|-------------------------------|
| 1. Start flashing             |
| 2. Cladding                   |
| 3. Cavity closer as per E2    |
| 4. Horizontal strut 304       |
| 5. U-clip 45x75 art.# 3558    |
| 6. Fixings as per PS1         |
| 7. Technoform U-bracket       |
| 8. Technoform isolator TIC050 |
| 9. Sill flashing              |
| 10. Line of jamb flashing     |
| 11. Alum Window               |
| 12. Air-rigid barrier         |
| 13. Primary WP membrane       |

General Notes

No.	Revision/Issue	Date

Firm Name and Address

BILDA NZ  
PO Box 54281  
The Marine  
Auckland 2012

Project Name and Address

BILDA NZ  
Generic Details  
Metal Cladding

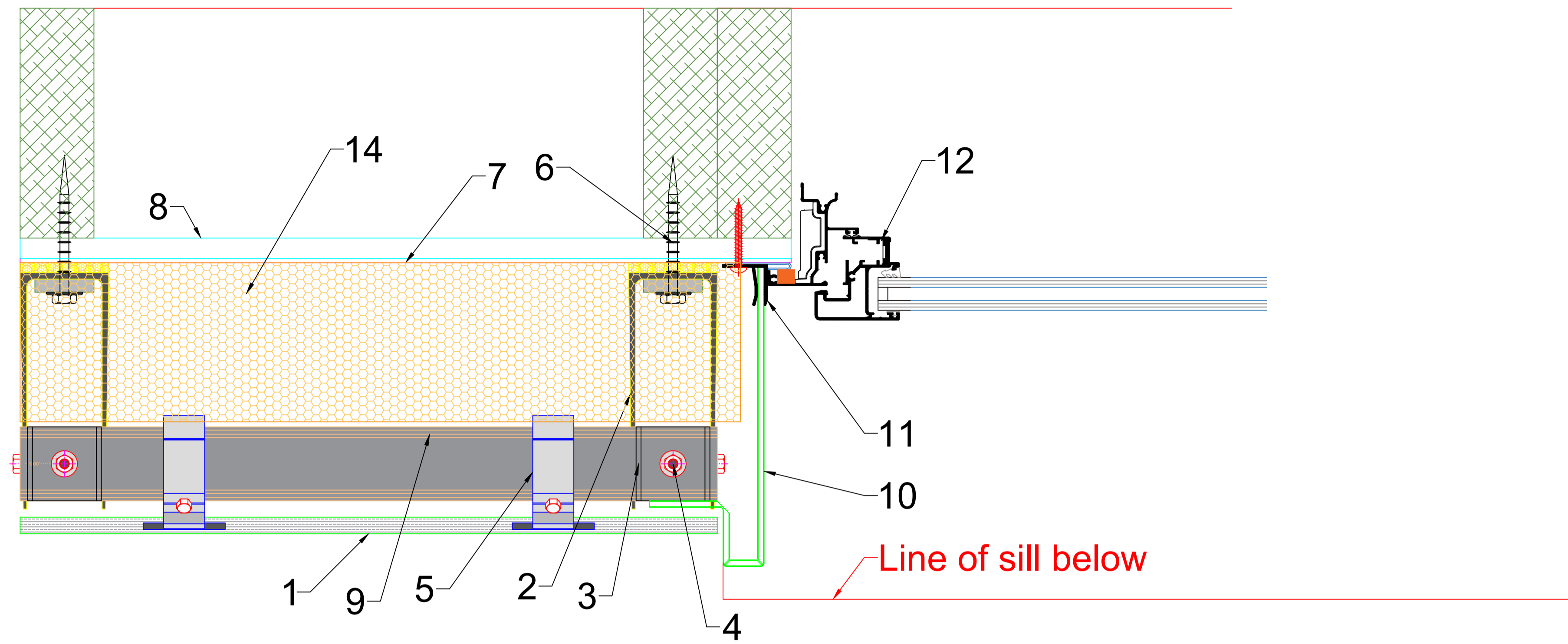
Project

Date  
15/11/2023

Scale  
1:2 @ A3

Sheet

05



### Key Legend

- |                               |
|-------------------------------|
| 1. Ceramic tile               |
| 2. Dead-load bracket          |
| 3. Traverse / Yoke connection |
| 4. SS screws 12gx25           |
| 5. Clip                       |
| 6. Primary fixings as per PS1 |
| 7. Primary WP membrane        |
| 8. Air-rigid barrier          |
| 9. Strut #304                 |
| 10. Jamb flashing             |
| 11. U-clip for jamb flashing  |
| 12. Window                    |
| 13. External Insulation       |

These drawings are property of BILDA NZ Ltd. They must not be copied in any form or passed on to a third party without written consent.

Primary WP membrane turned into window opening and sealed as per manufacturer specifications

General Notes

No.	Revision/Issue	Date

Firm Name and Address

BILDA NZ  
PO Box 54281  
The Marine  
Auckland 2012

Project Name and Address

BILDA NZ  
General Details  
Jamb details

Project

Date  
15/11/2023

Scale  
1:2 @ A3

Sheet

06