

# BILDA Rainscreen System

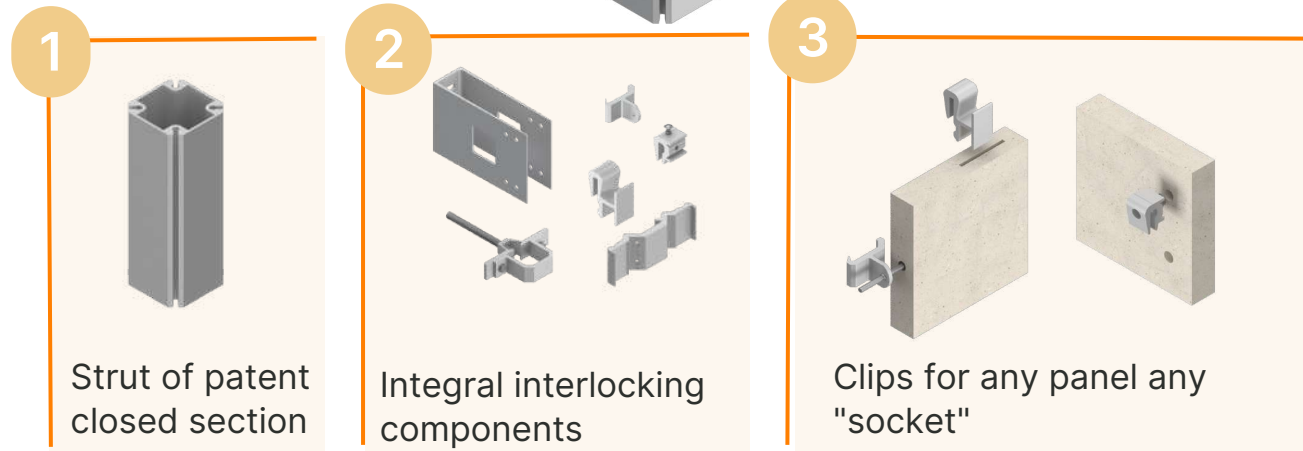
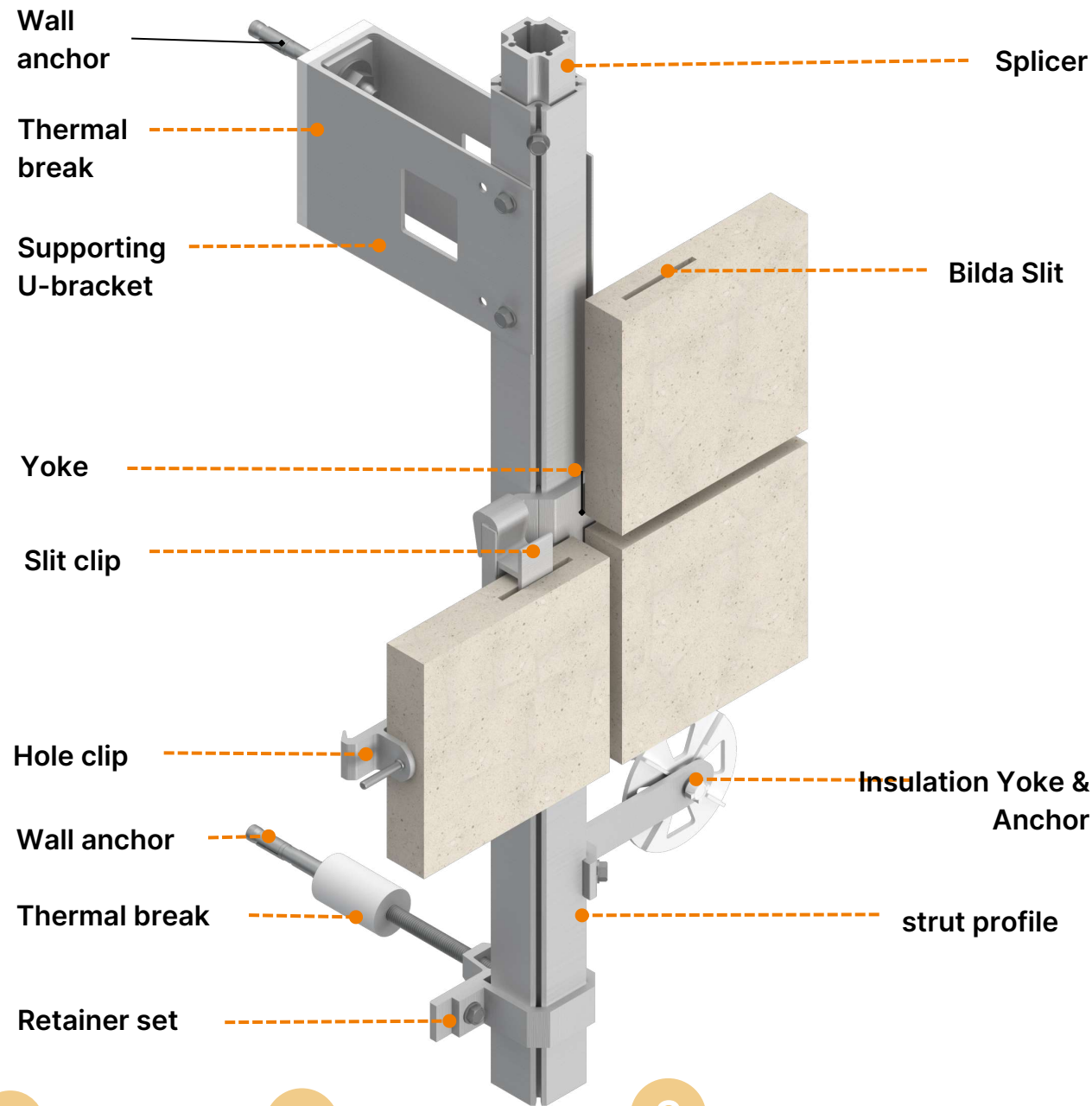
by STOA Group

**BILDA**<sup>®</sup>

## BILDA BASICS

- 01 Introduction
- 03 Assemblies & Accessories
- 04 Slot & Blade fixing
- 09 Rear fixing
- 14 Window Soffit Details
- 17 Window Reveal Details

# BILDA Rainscreen System

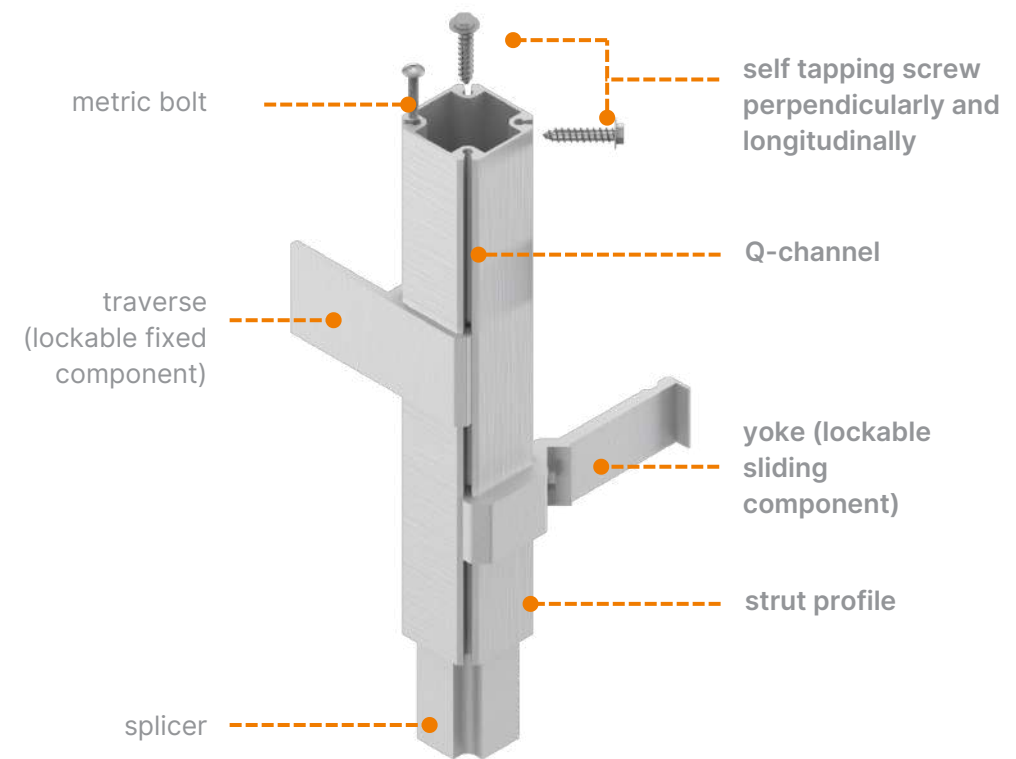


BILDA® is a game-changing system and technology for mechanical fixing of cladding and insulation. BILDA provides advantages for all stakeholders in the building envelope process.

It is applicable for:

- building envelopes, interior surfaces
- vertical, horizontal or inclined claddings
- any type and thickness of cladding material
- all methods of cladding panel attachment
- assembling of spatial structures

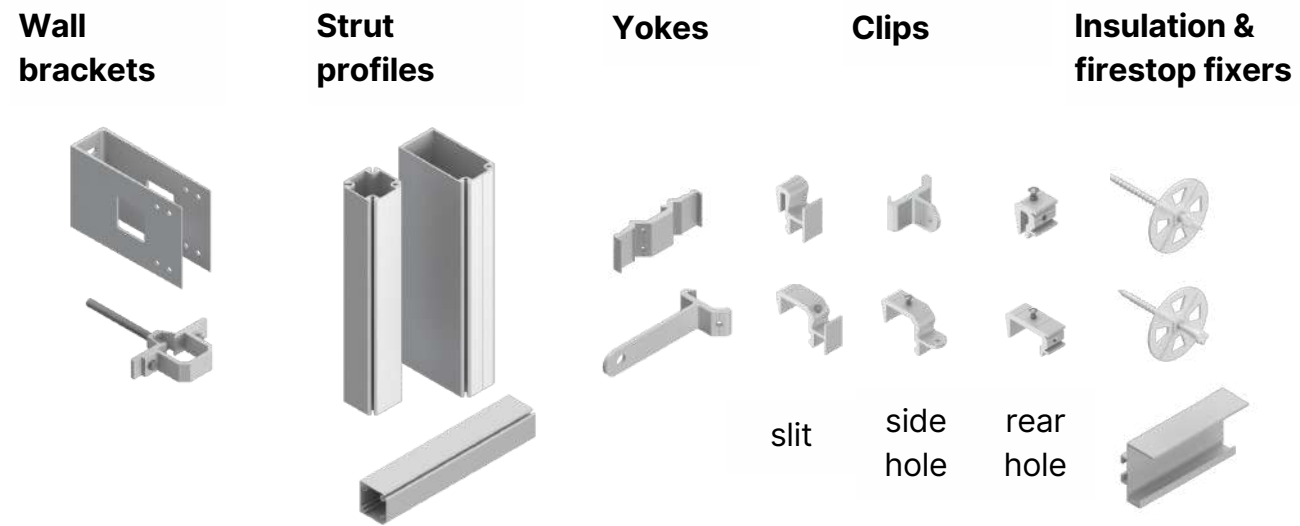
## 1 | Strut of patent closed section



- Composes light and resilient substructure grid;
- allows quick locking attachment of components with dual penetration - sliding and fixed (by screw);
- allows pre-assembly of frames and units by means of simple screwing and without welding.



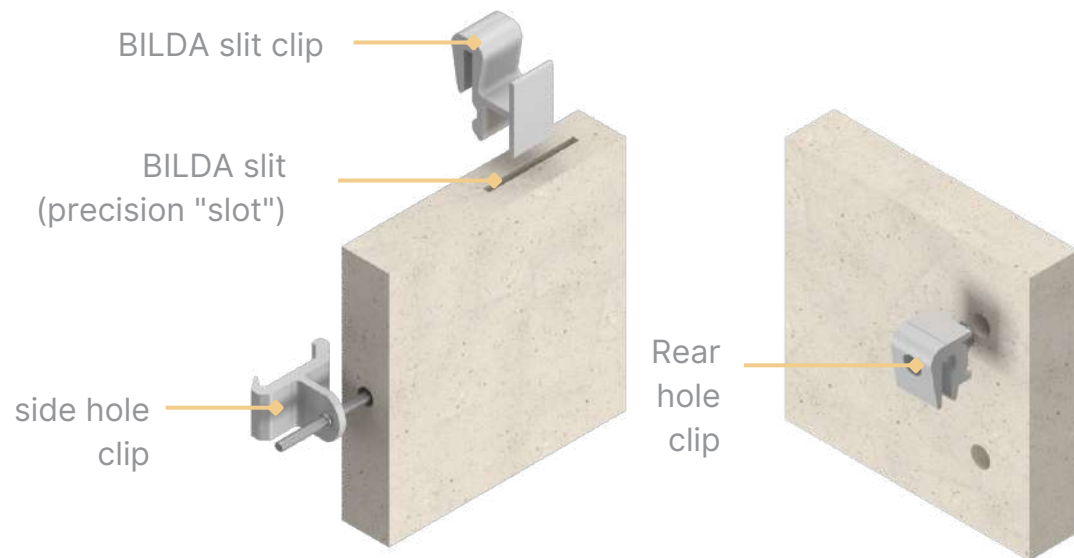
## 2 | Integral interlocking components



- Simple and interactive inventory for the whole Rainscreen envelope (cladding & insulation);
- interchangeable, inter-lockable, multifunctional components; facilitating accessories.

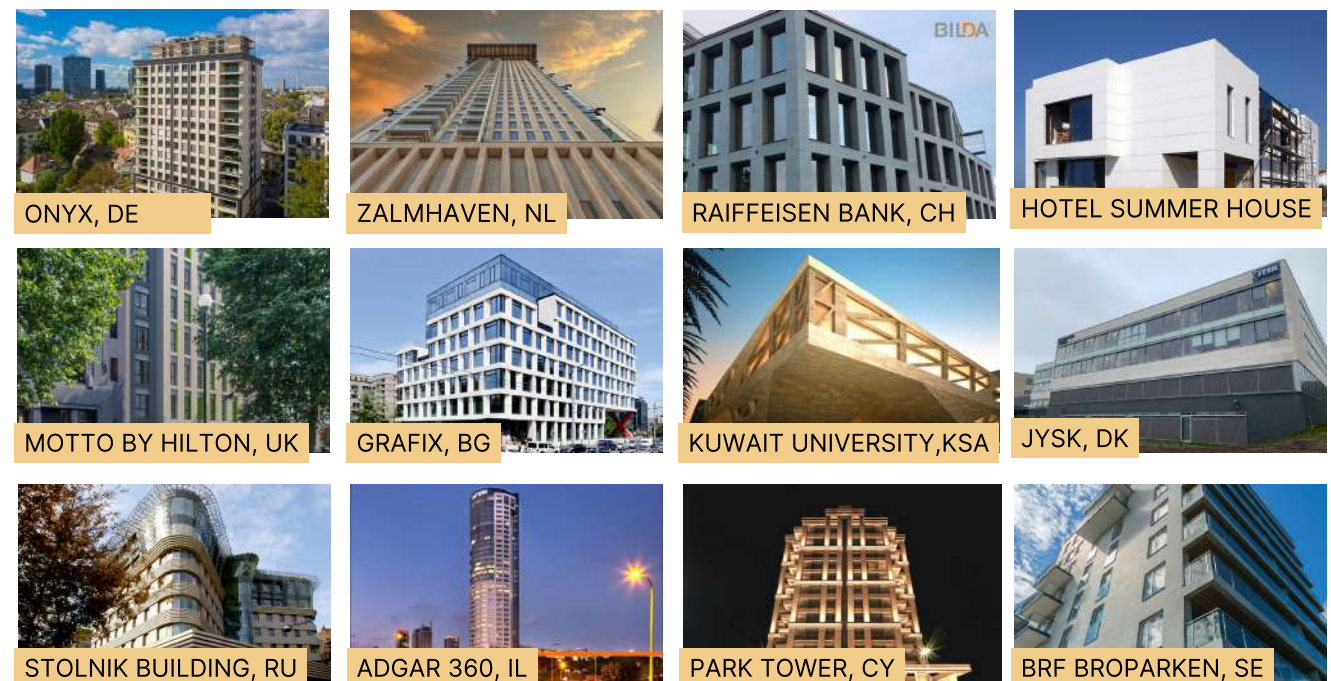
UNIQUE FEATURE	BASIC ADVANTAGES	BENEFITS IN NUMBERS
Strut of patent closed section	<ul style="list-style-type: none"> <li>• Provides high structural resilience</li> <li>• Allows mechanical &amp; interlocking connections</li> </ul>	<p><b>20-30%</b></p> <p>Savings on cladding envelope materials</p>
Components - integral & interlocking	<ul style="list-style-type: none"> <li>• Lighter cladding assemblies - fewer installation steps - quick installation</li> <li>• Lego-like simple connections between all system components</li> </ul>	<p><b>40-50%</b></p> <p>Savings on envelope installation time</p>
Clips for any panel, any "socket"	<ul style="list-style-type: none"> <li>• One system for any cladding simplifying envelope development process</li> </ul>	<p><b>30-40%</b></p> <p>Savings in design and project management time</p>

## 3 | Clips for any panel, any "socket"

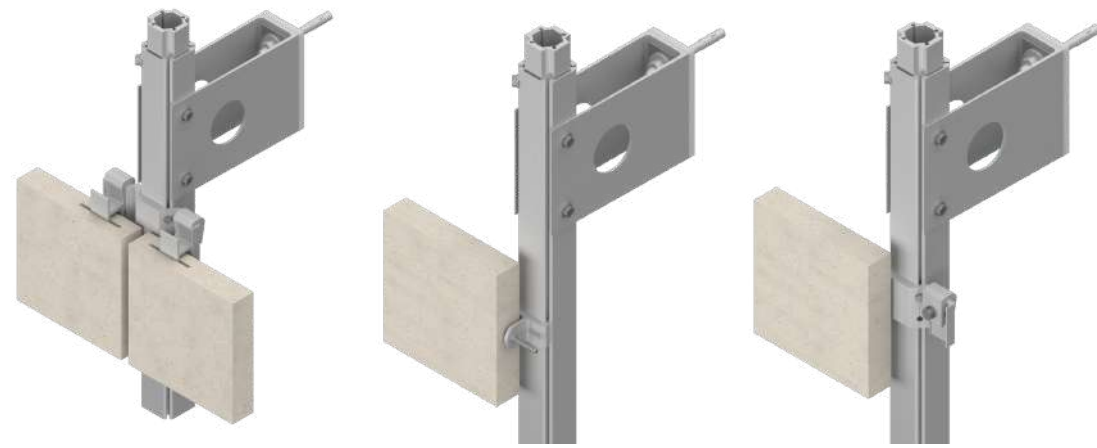


- Variety of clips for all panel fixing methods (slit, side and rear hole);
- stationary milling rig, handheld machine, tools and instruments for any panel "socket"

## Key reference projects



# Cladding Assemblies

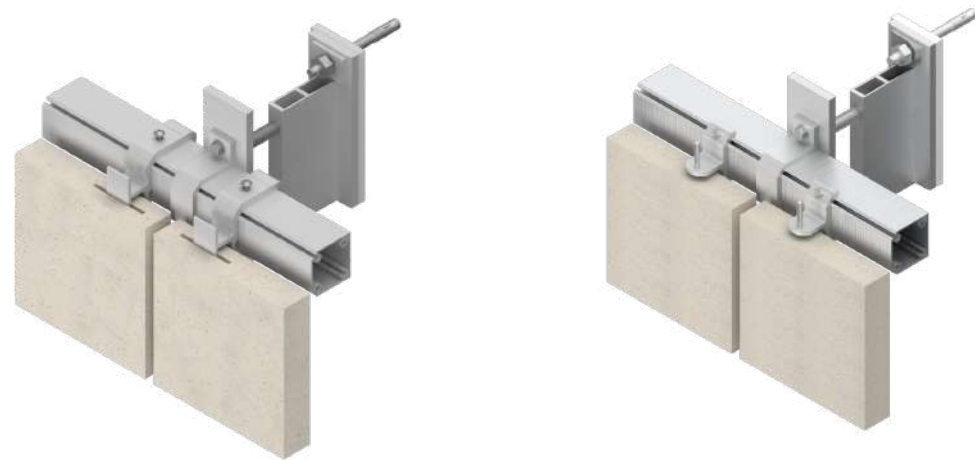


SIDE FIX-"PRECISION" SLOT

SIDE FIX - HOLE

REAR FIX - HOLE

VERTICAL ASSEMBLY  
"LANDSCAPE PANELS"



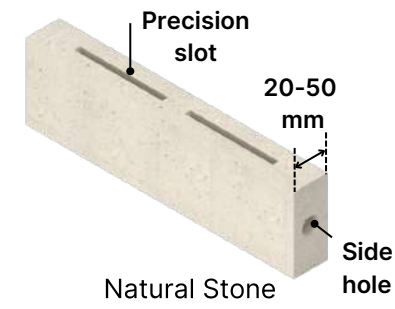
SIDE FIX-"PRECISION" SLOT

SIDE FIX - HOLE

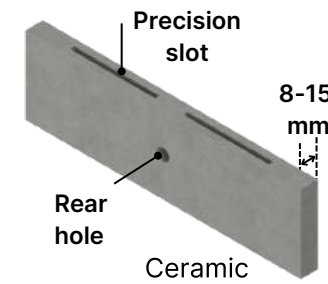
HORIZONTAL ASSEMBLY  
"PORTRAIT" PANELS

	NATURAL STONE 20-50 mm	PORCELAIN GRES 8-20 mm	CASSETTE 4-6 mm	HPL & FIBER CEMENT 8-20 mm	HONEYCOMB 10-20 mm
<b>SIDE FIX-"PRECISION" SLOT</b>	Yes	Yes	Yes	Yes	No
<b>REAR FIX - HOLE</b>	Yes	Yes	No	Yes	Yes
<b>SIDE FIX - HOLE</b>	Yes	No	No	No	No

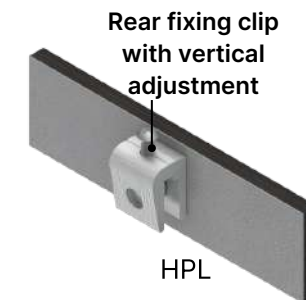
# Materials



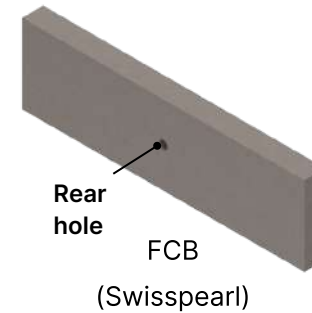
Natural Stone



Ceramic



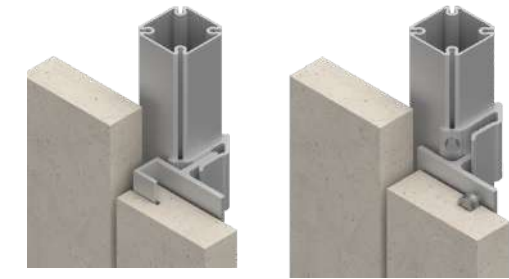
HPL



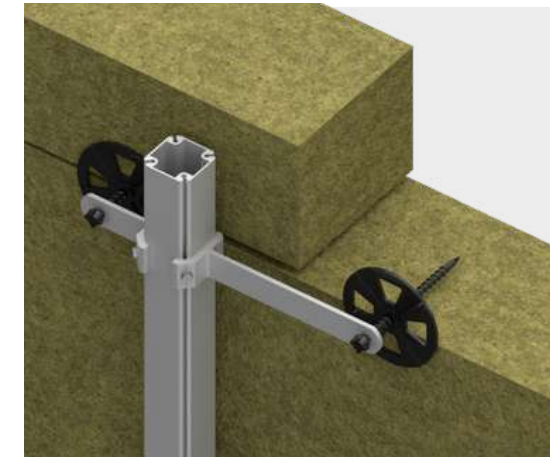
FCB  
(Swisspearl)

OTHER MATERIALS  
BiPV, Aluminium  
Composite Panel, ...

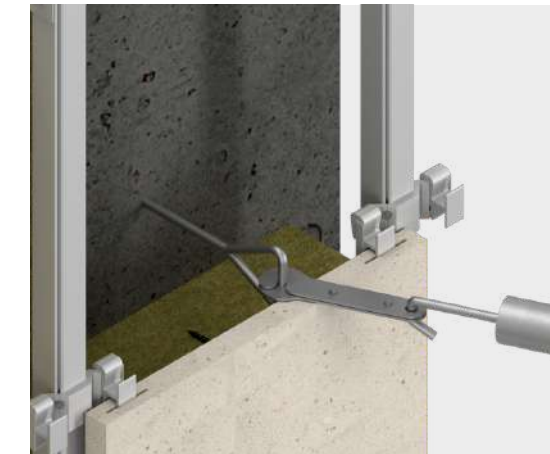
# Accessories



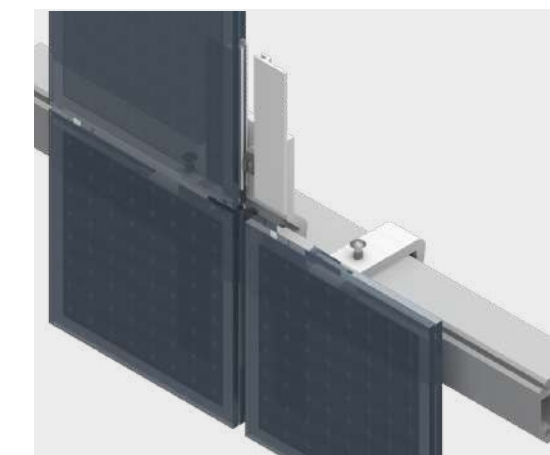
PATCH FIXING SET



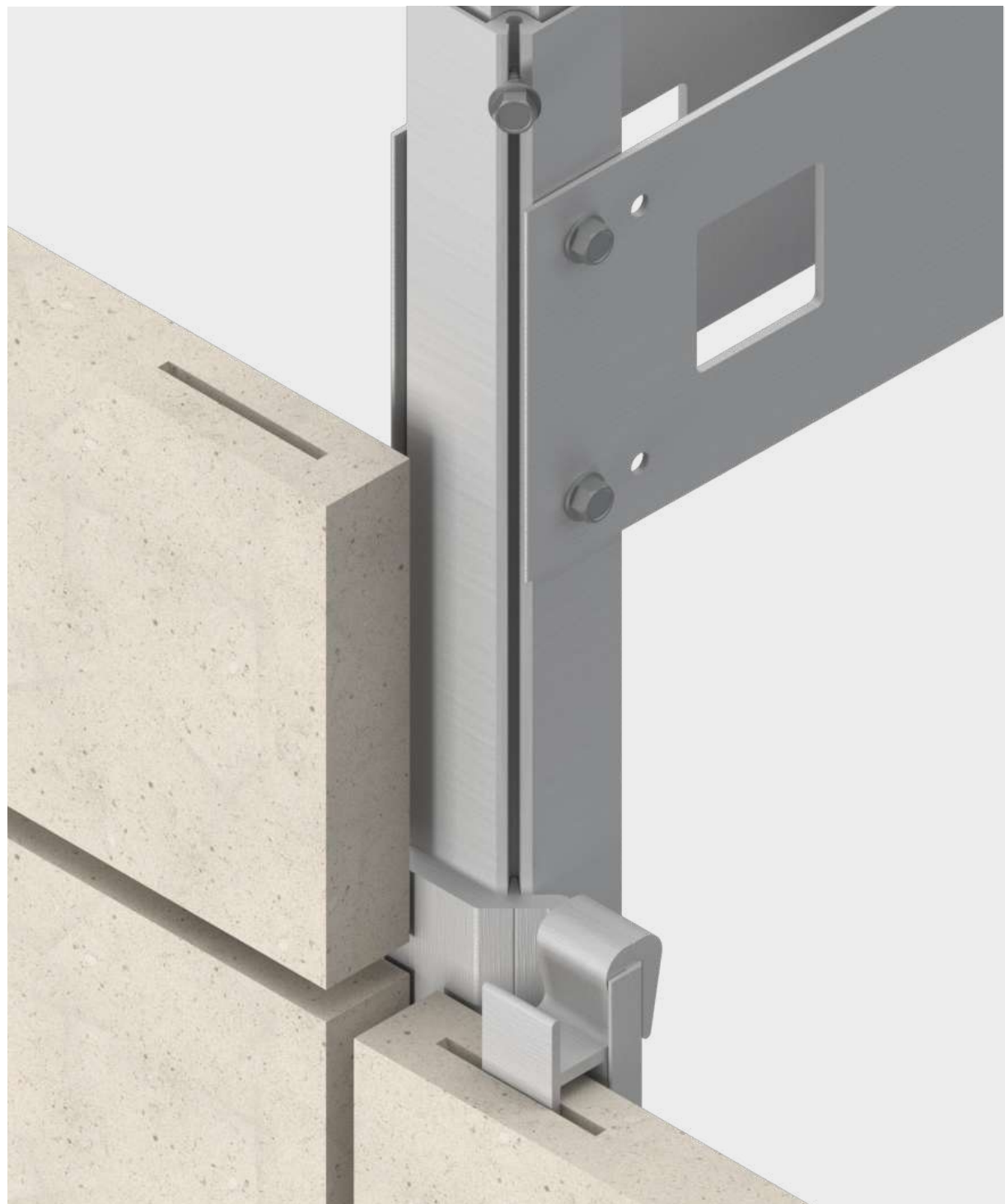
INSULATION FIXING SET



SCAFFOLDING SET

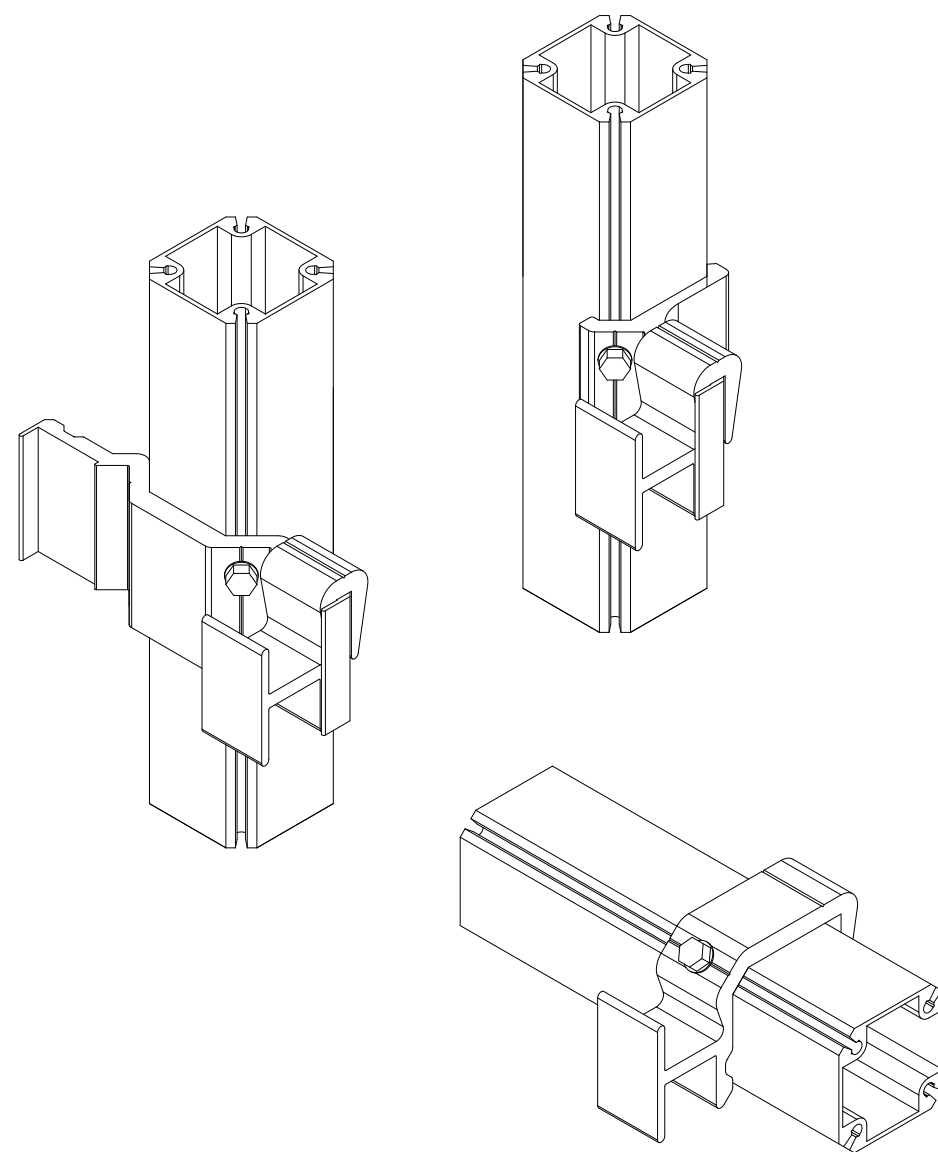


PV PANEL FIXING SET

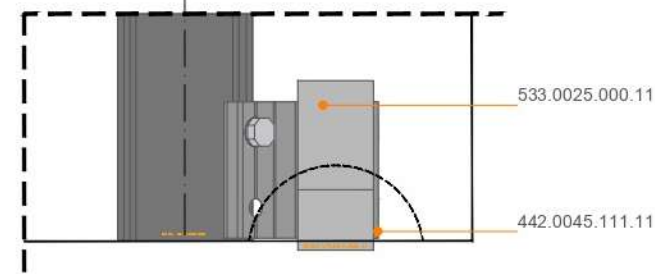
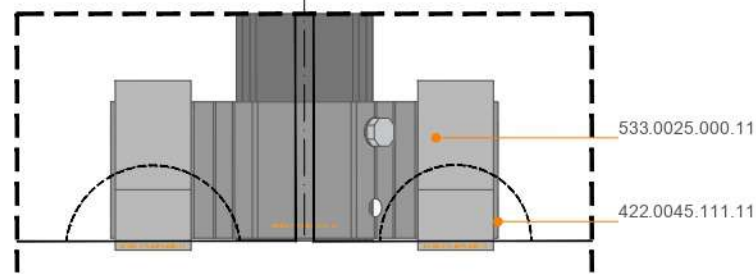
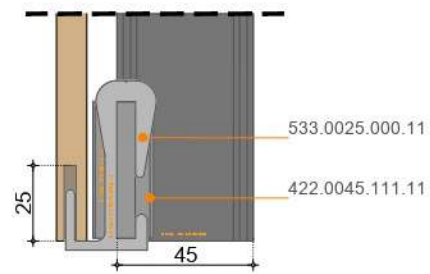
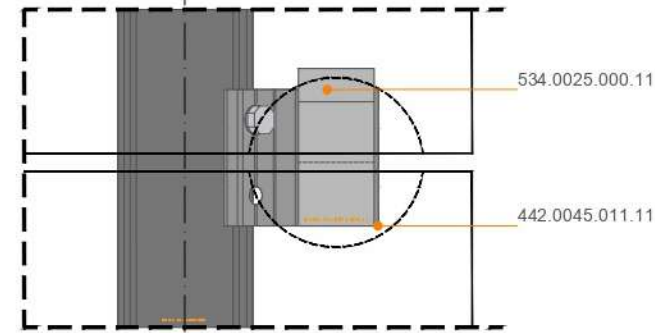
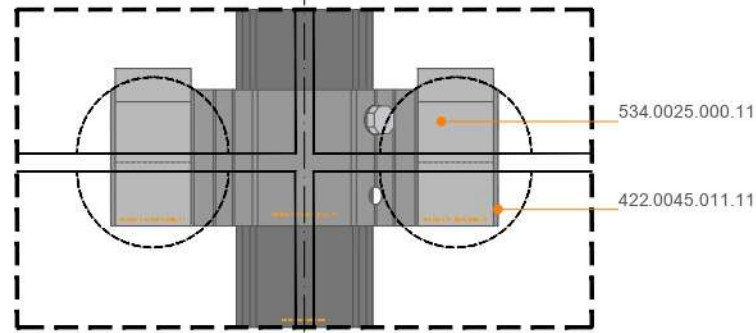
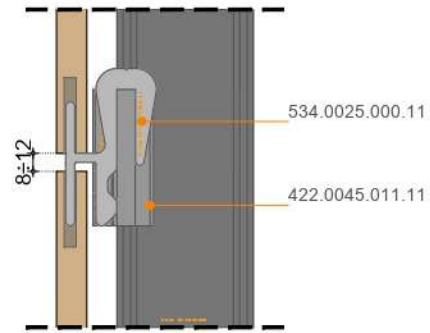
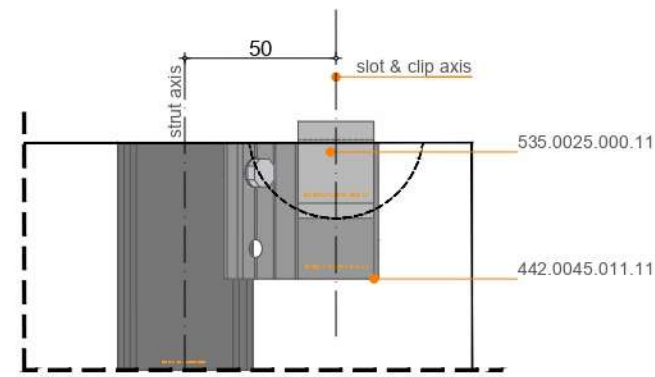
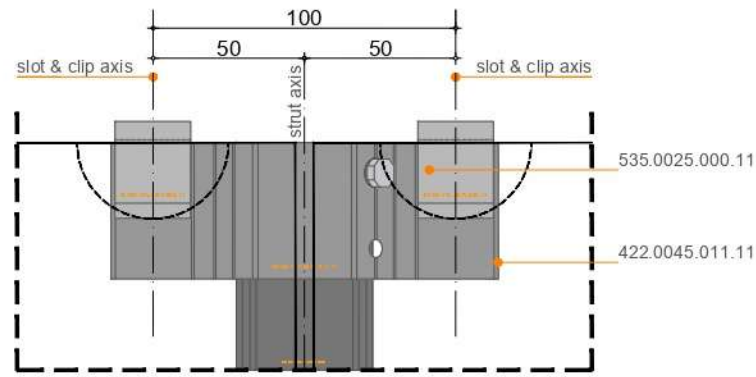
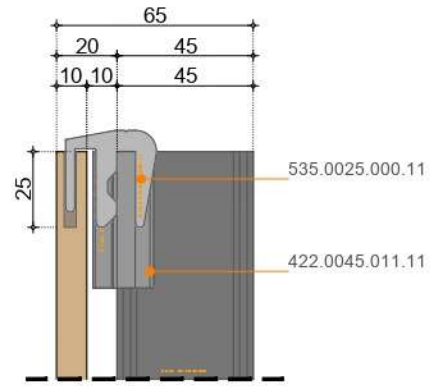


# "Slot & Blade" Fixing

for 10-40mm panels



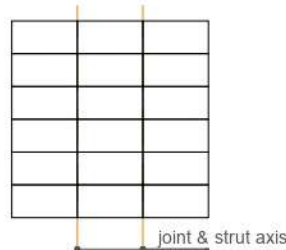
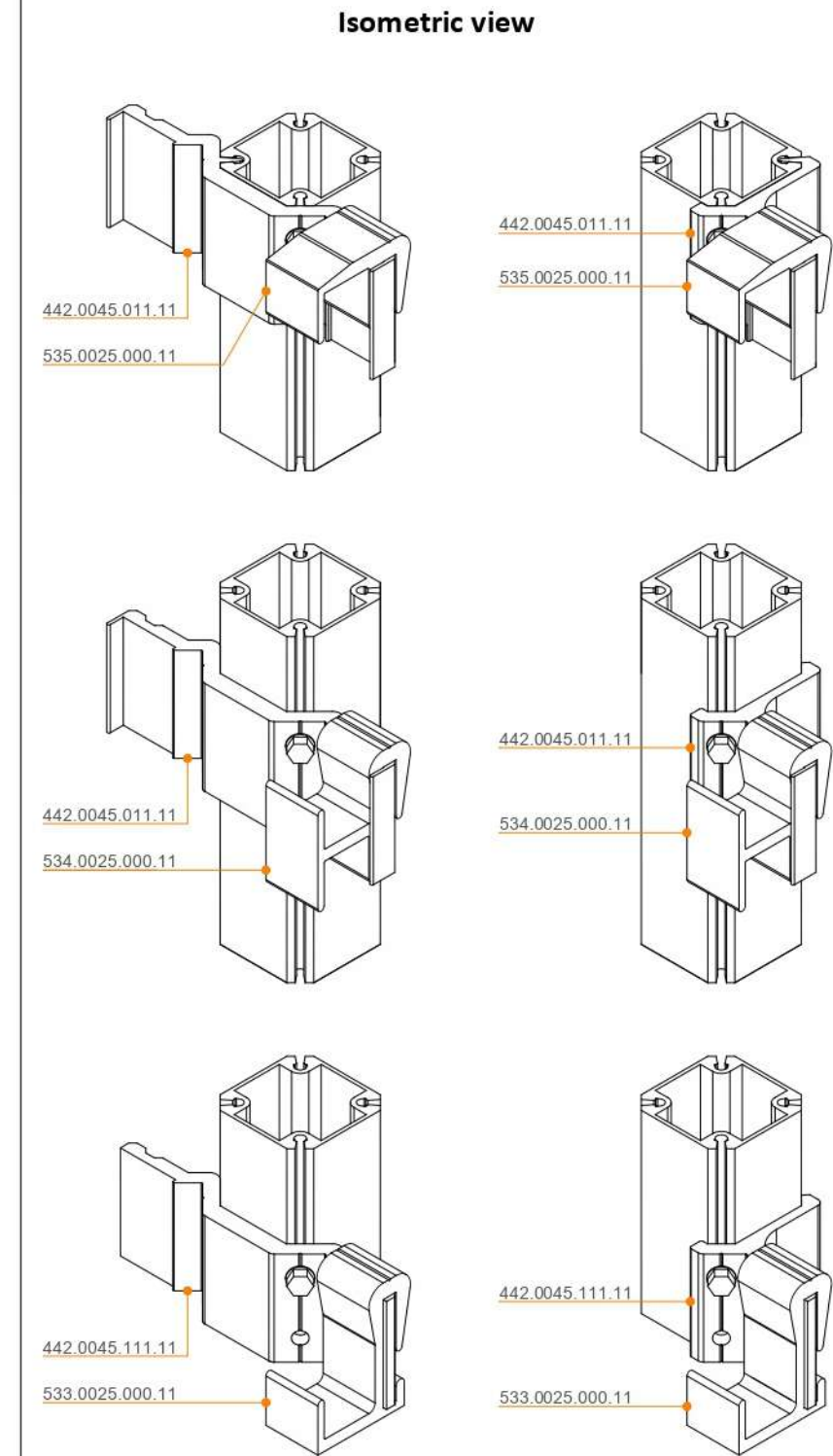




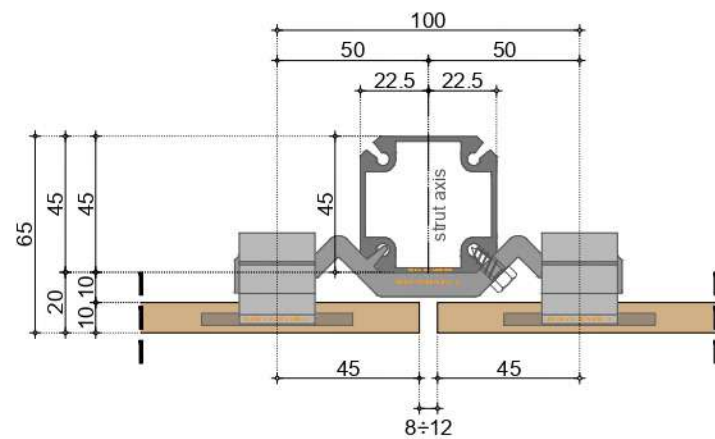
Vertical section

Front view  
Middle profile

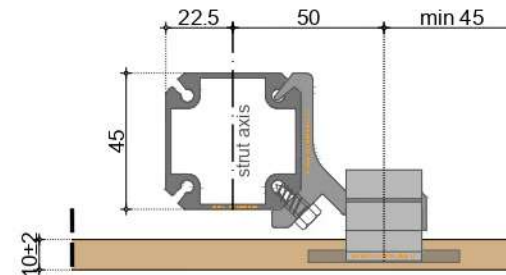
Front view  
End/Corner Profile



Panel layout L>H



Horizontal section  
Middle profile



Horizontal section  
End/Corner Profile

Paper: A3

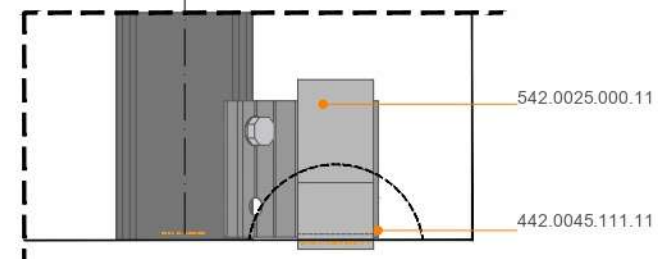
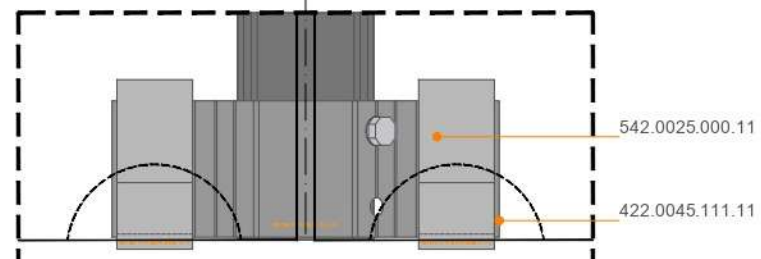
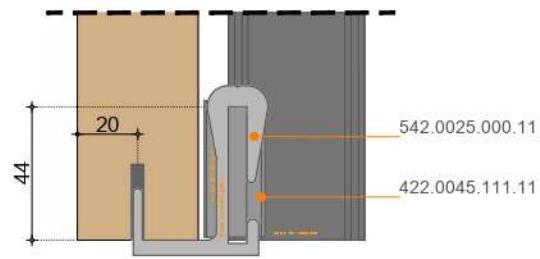
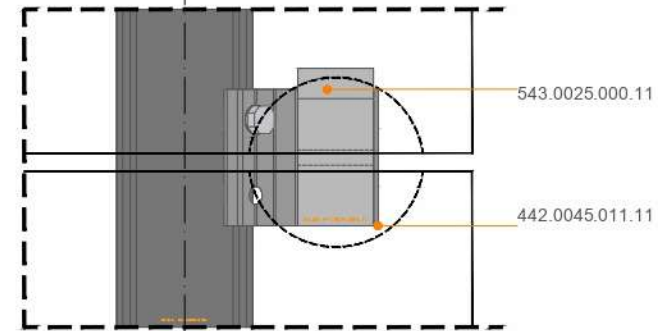
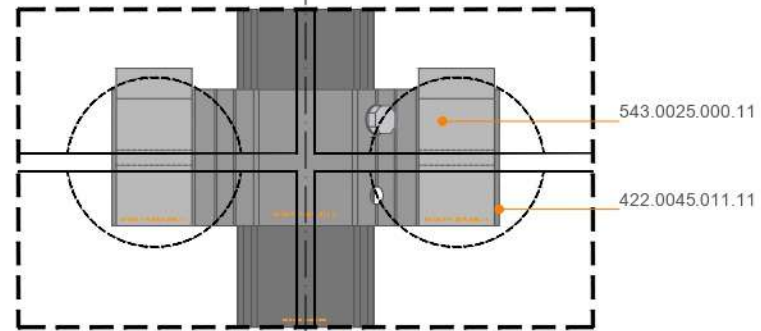
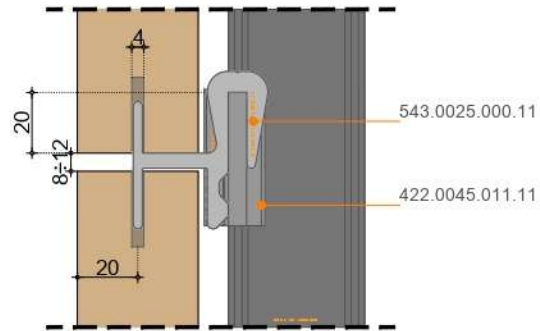
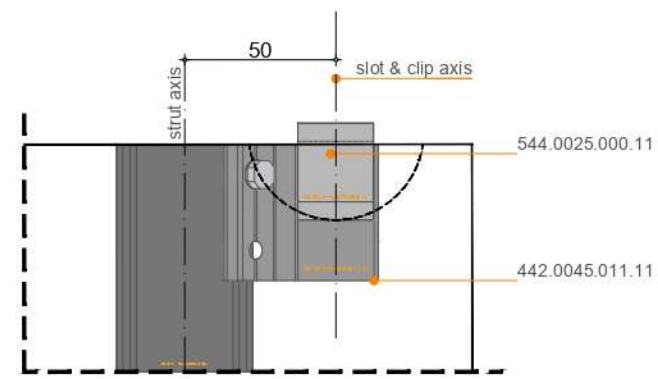
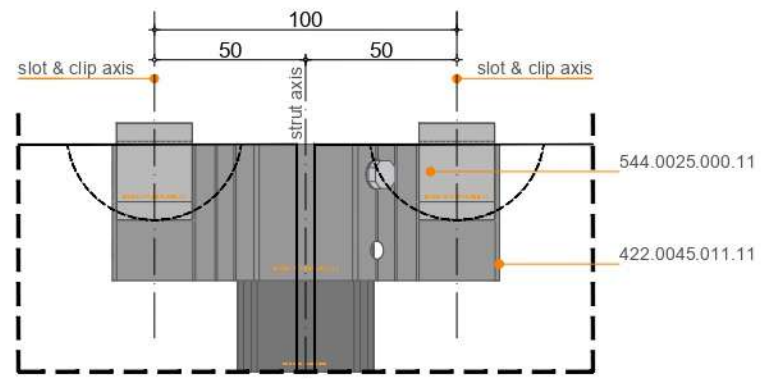
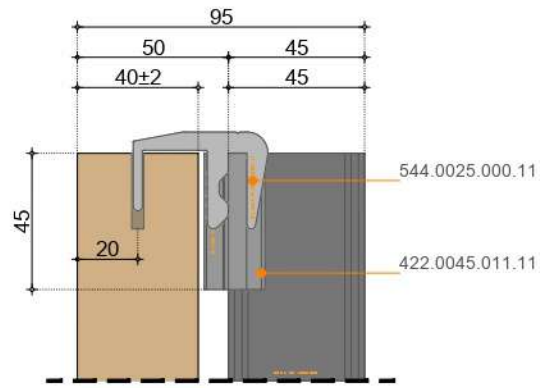
Scale: 1/2.5

Bottom, Middle and Top fixing  
10 mm thick panels  
landscape oriented, grid pattern

www.bilda.net

bilda@stoa.net

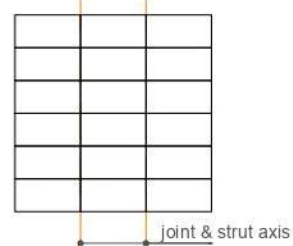
**BILDA**<sup>®</sup>  
CLADDING TECHNOLOGY



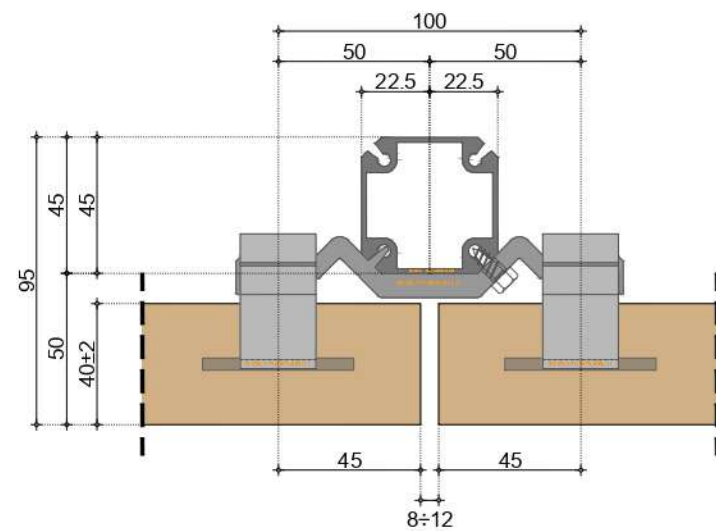
vertical section

Front view  
Middle profile

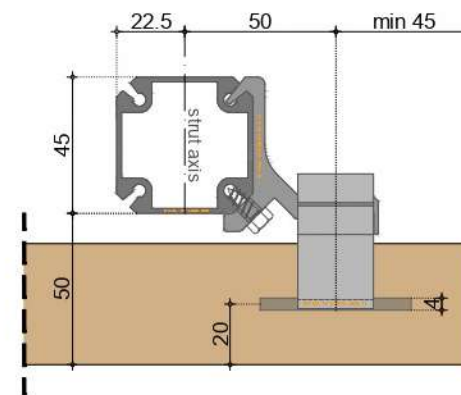
Front view  
End/Corner Profile



Panel layout L>H

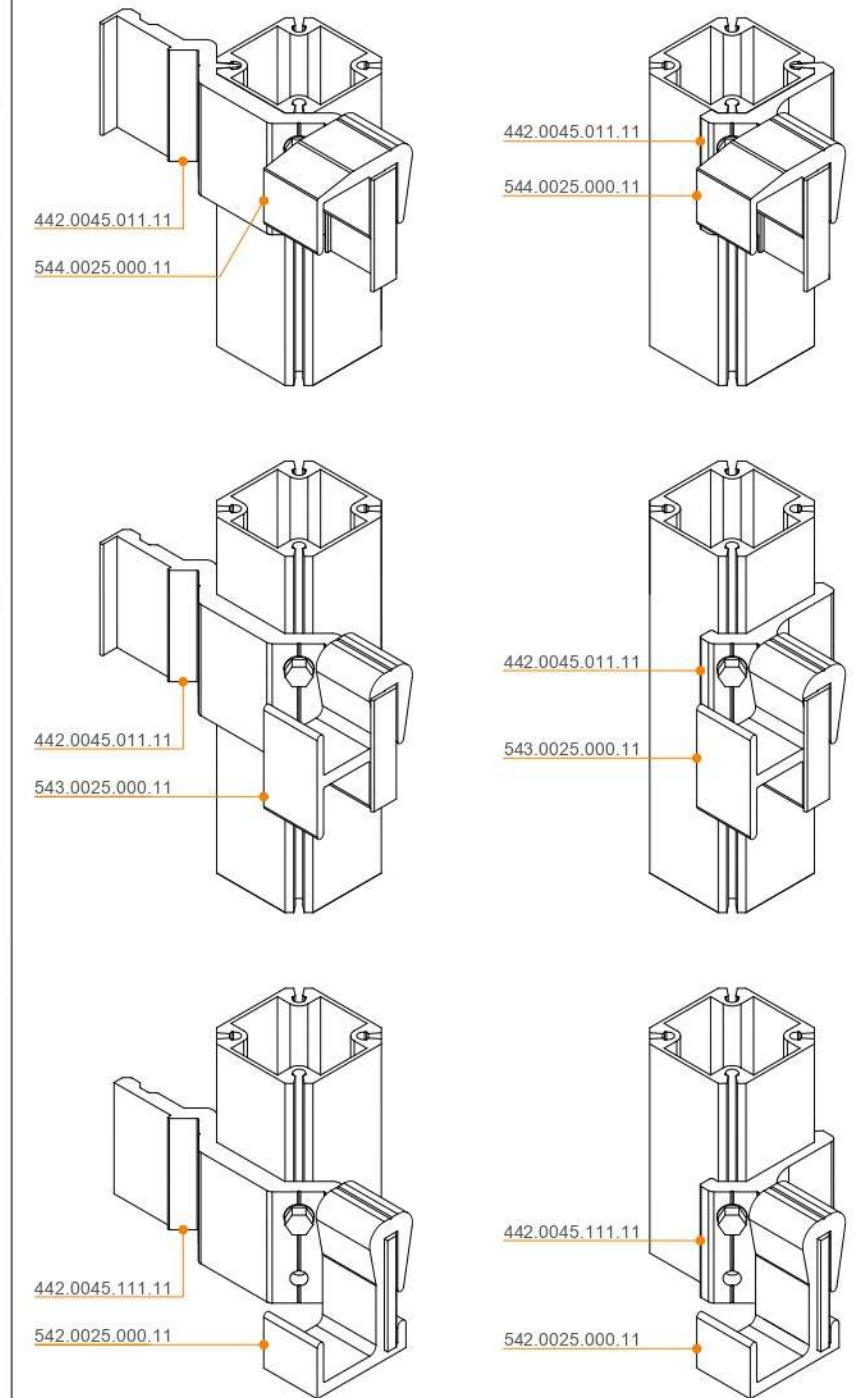


Horizontal section  
Middle profile



Horizontal section  
End/Corner Profile

isometric view



Paper: A3

Scale: 1/2.5

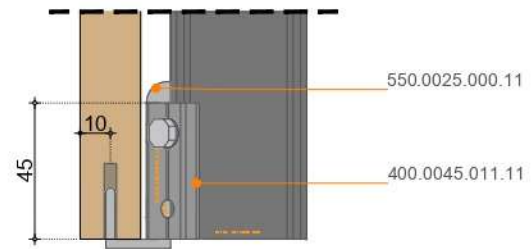
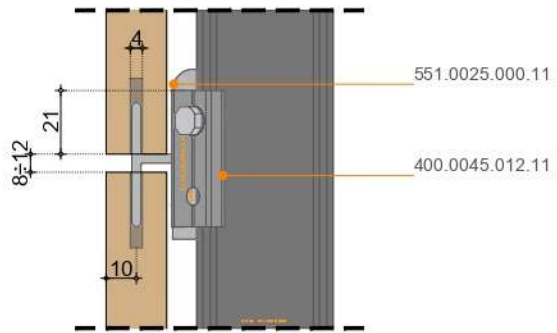
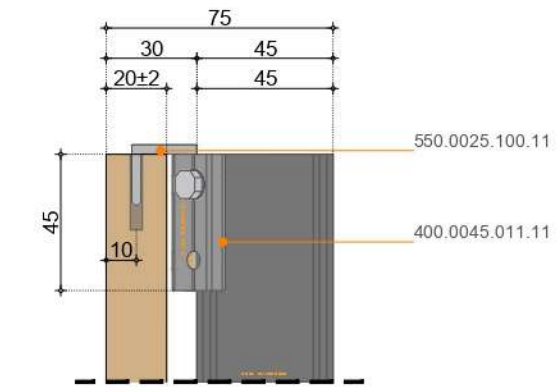
Bottom, Middle and Top fixing  
vertical strut, 40 mm thick panels  
landscape oriented, grid pattern

www.bilda.net

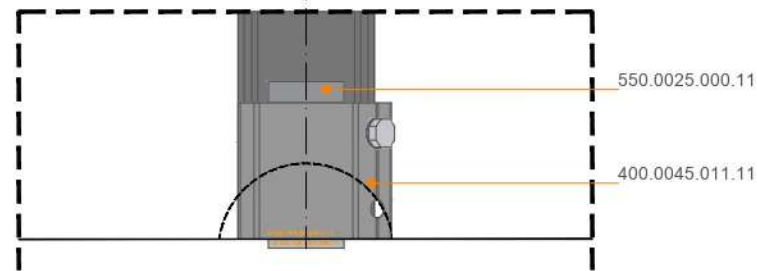
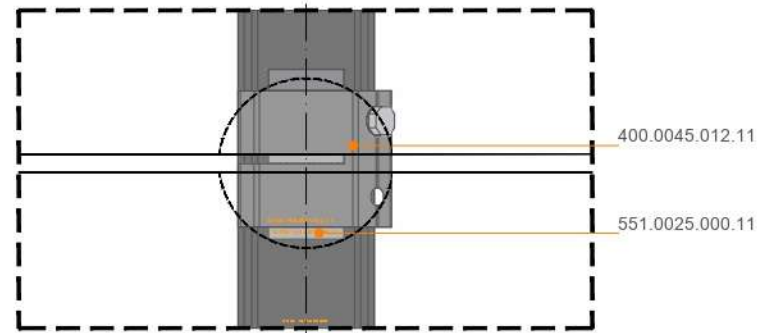
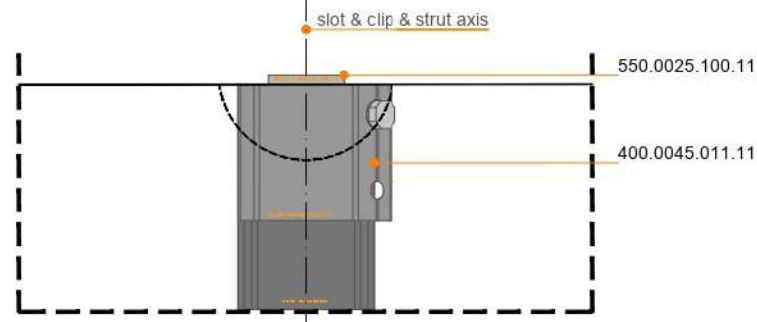
bilda@stoa.net

**BILDA**<sup>®</sup>  
CLADDING TECHNOLOGY



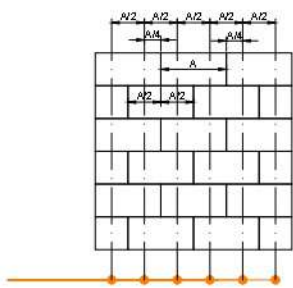
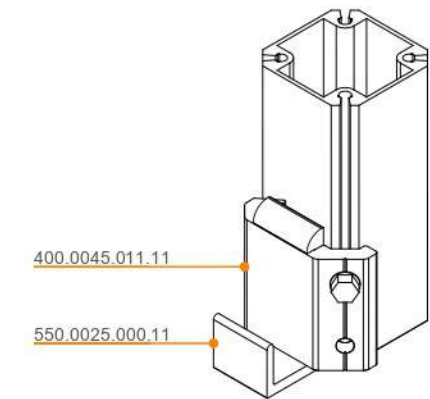
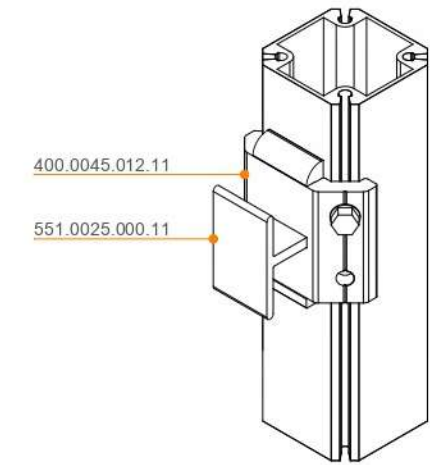
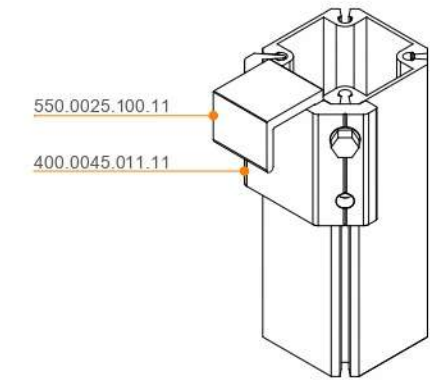


vertical section

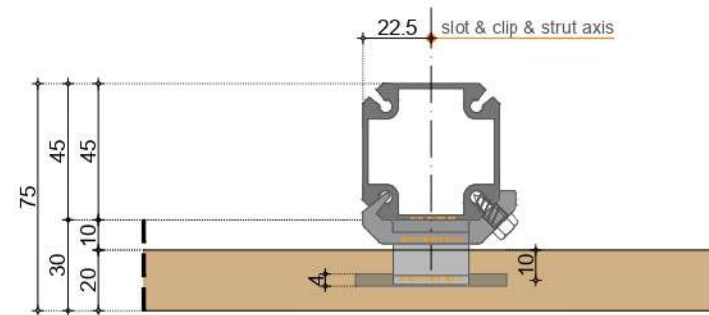


Front view

Isometric view



Panel layout



Horizontal section

Paper: A3

Scale: 1/2.5

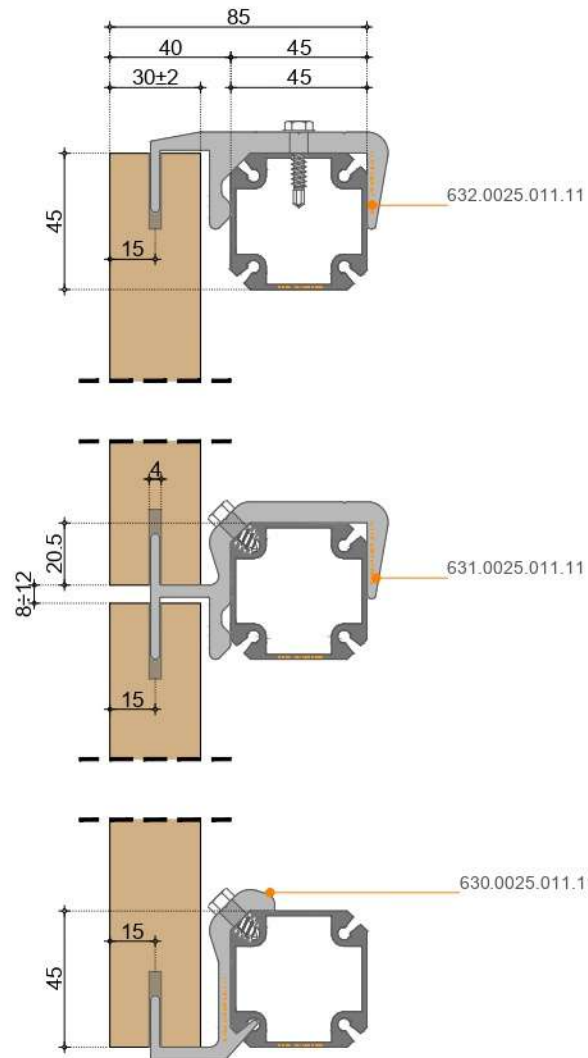
Bottom, Middle and Top fixing vertical strut, 20 mm thick panels landscape oriented, stretcher pattern

www.bilda.net

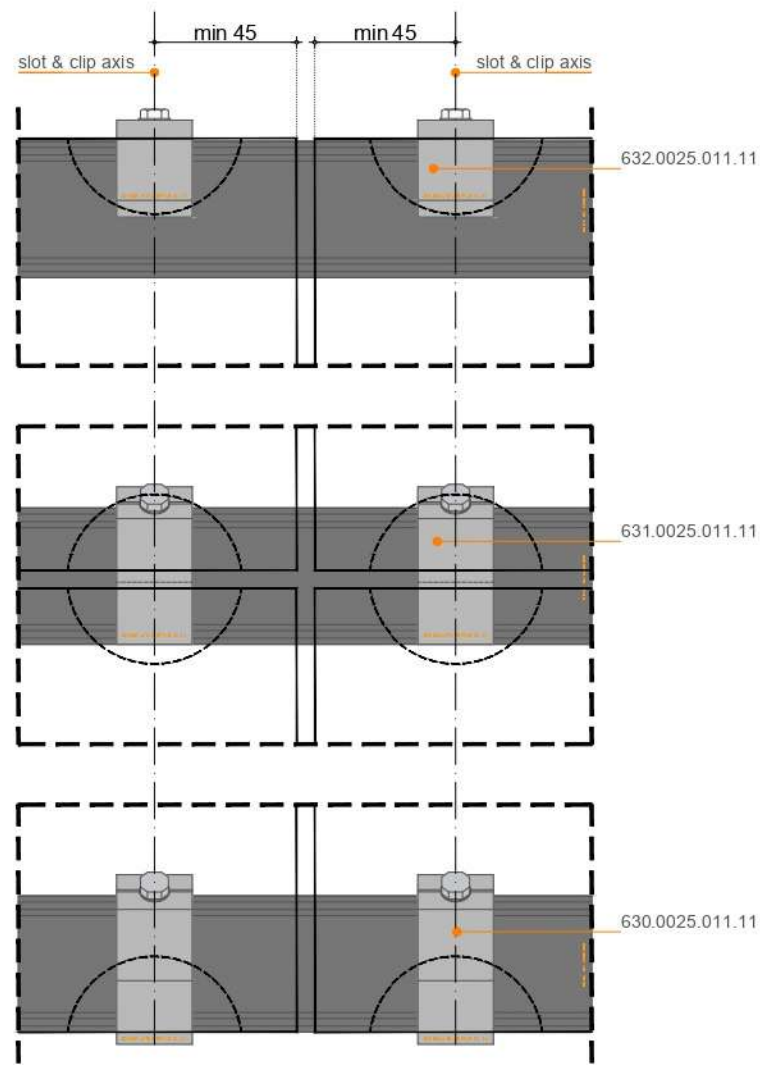
bilda@stoa.net

**BILDA**<sup>®</sup>  
CLADDING TECHNOLOGY



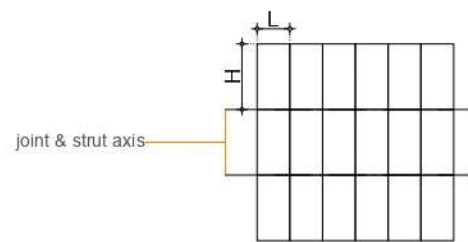
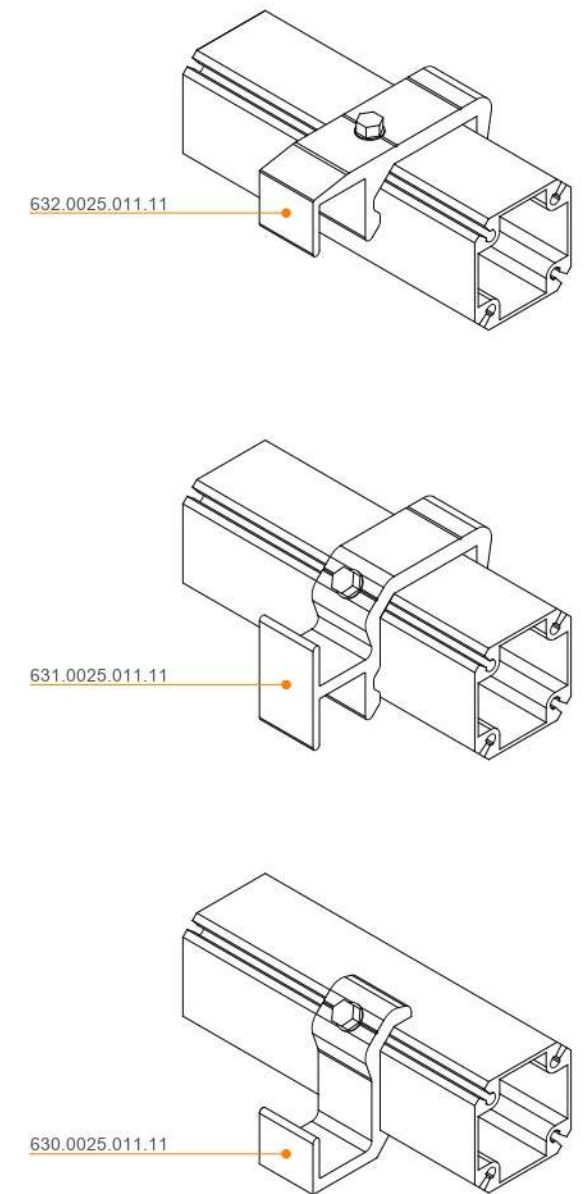


Vertical section

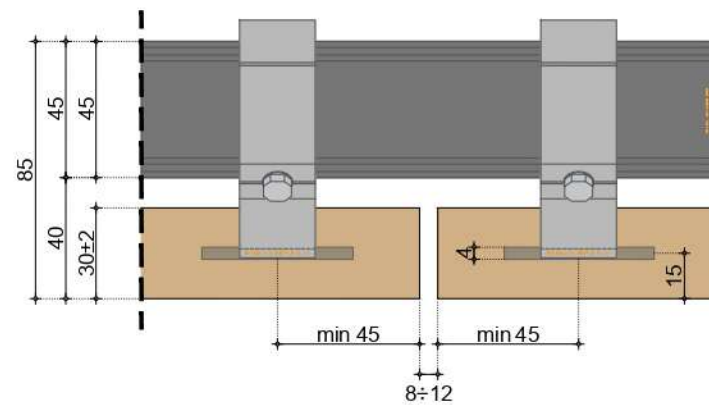


Front view

Isometric view



Panel layout L<H



Horizontal section

Paper: A3

Scale: 1/2.5

Bottom, Middle and Top fixing horizontal strut, 30 mm thick panels portrait oriented, grid pattern

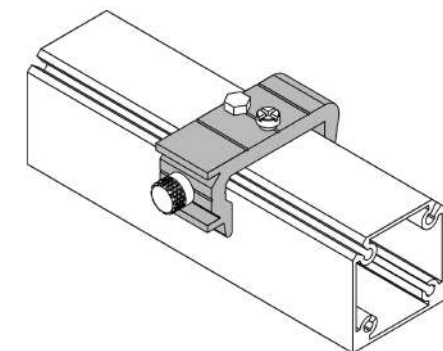
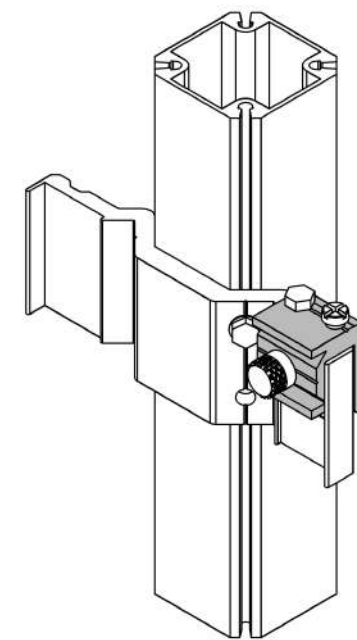
www.bilda.net

bilda@stoa.net

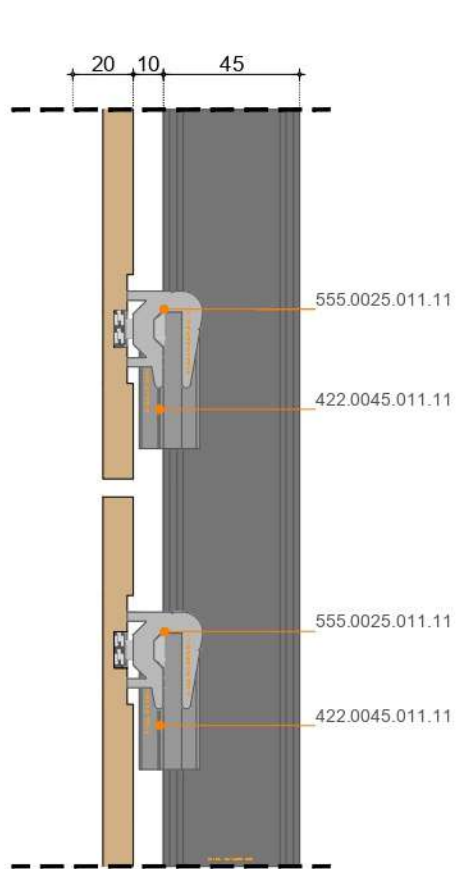
**BILDA**<sup>®</sup>  
CLADDING TECHNOLOGY

# Rear Fixing

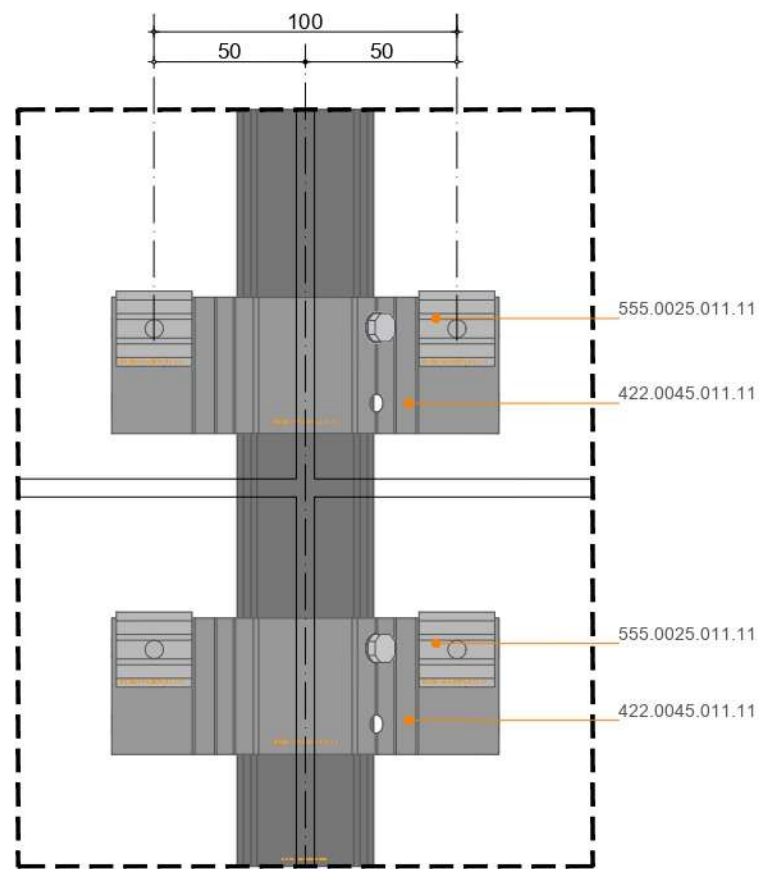
for 10-40mm panels



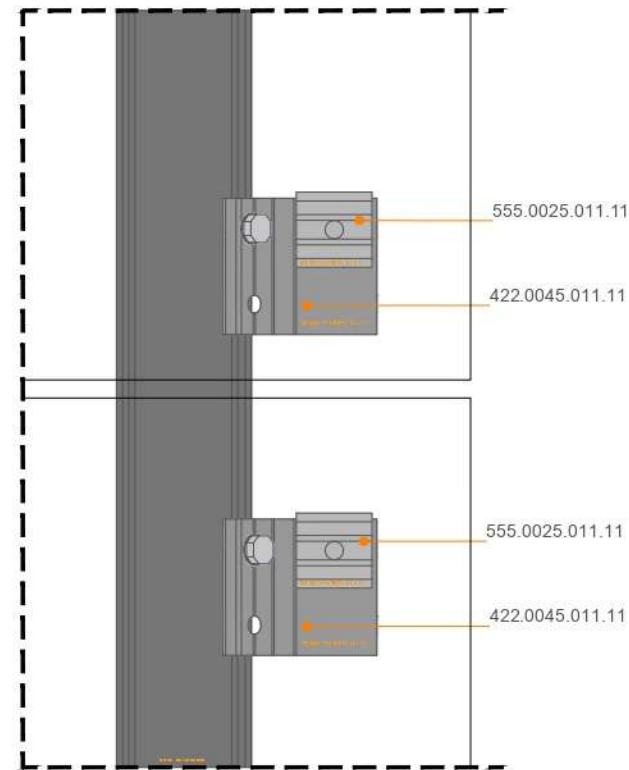




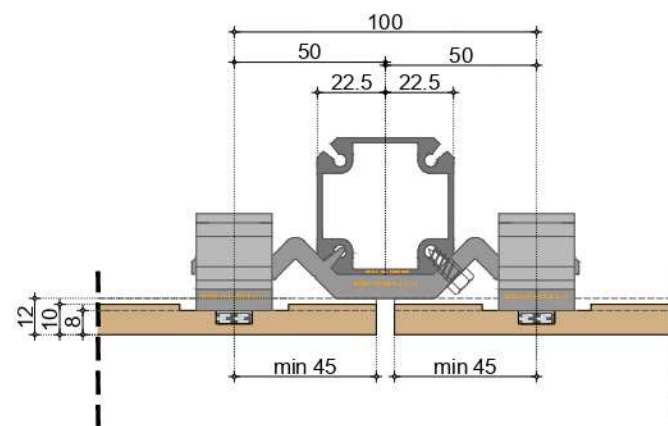
vertical section



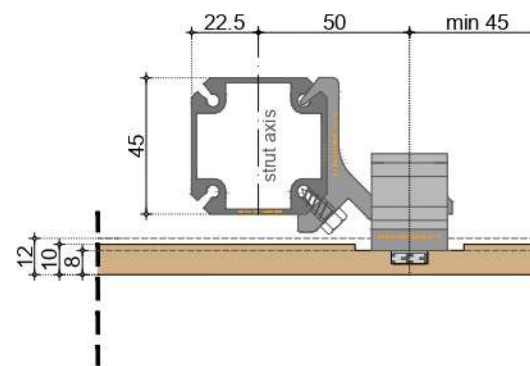
front view  
middle profile



front view  
end/corner profile

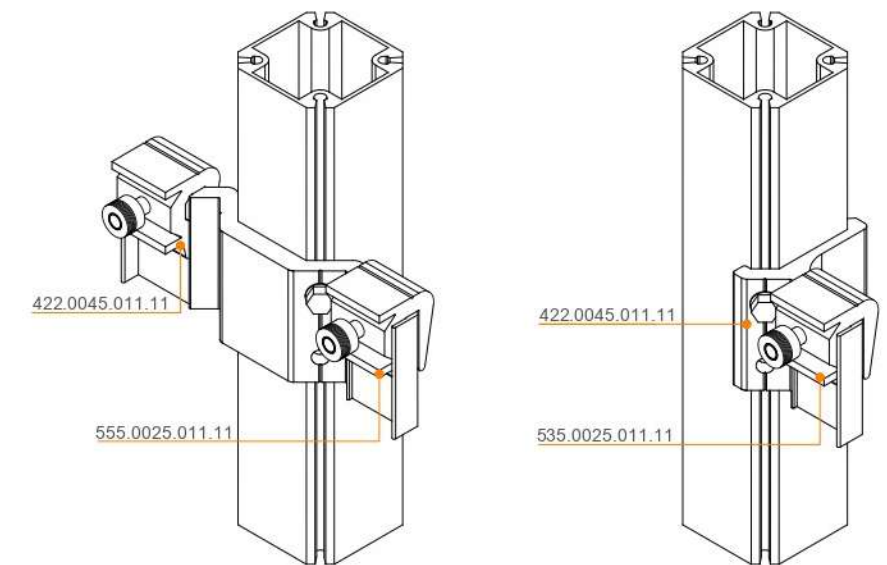


Horizontal section  
Middle profile



Horizontal section  
End/Corner Profile

Isometric view



Paper: A3

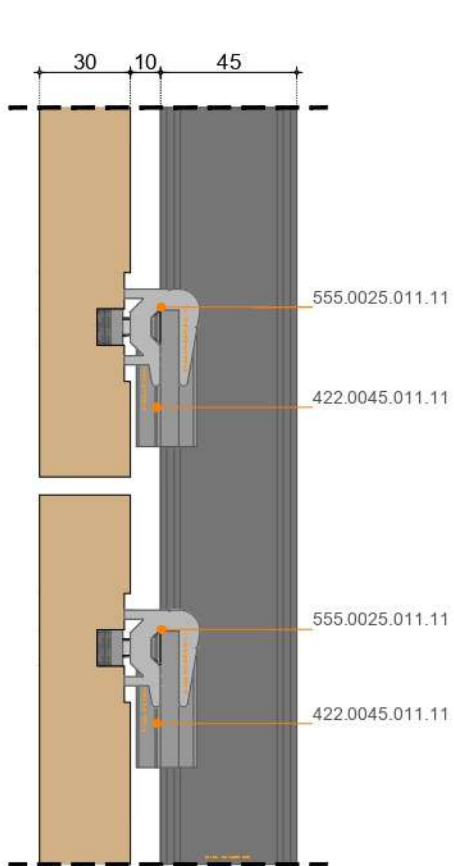
Scale: 1/2.5

www.bilda.net

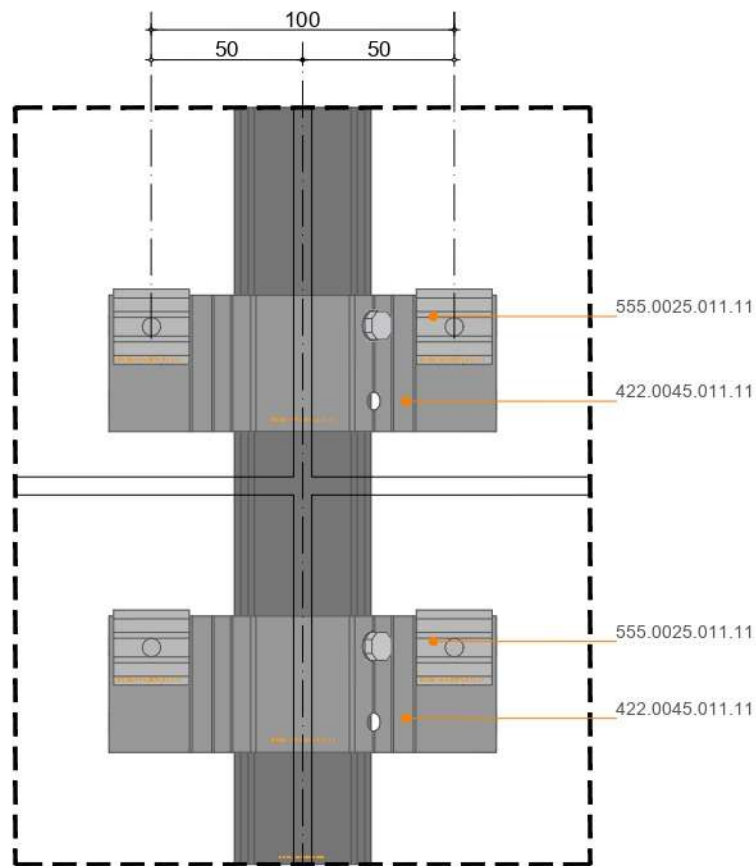
bilda@stoa.net

Back-fixing using Keep-net,  
10 mm thick panels  
vertical strut

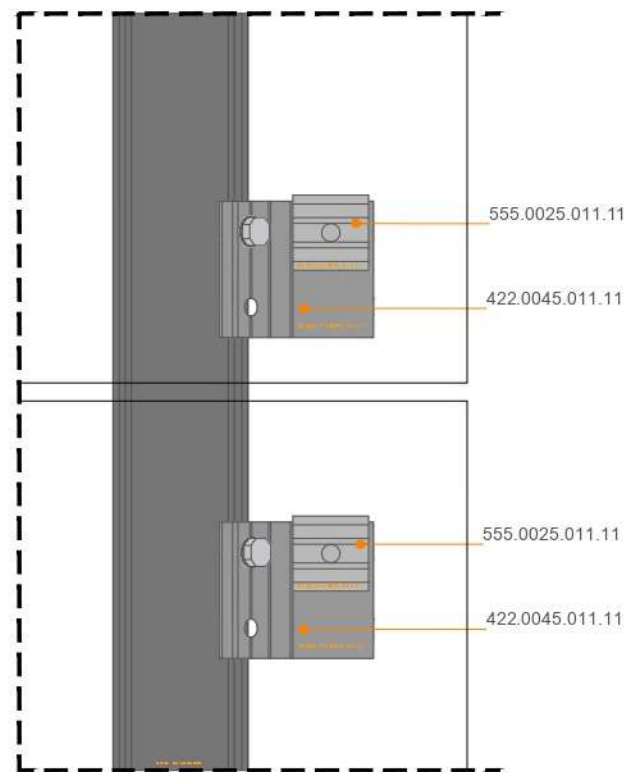
**BILDA**<sup>®</sup>  
CLADDING TECHNOLOGY



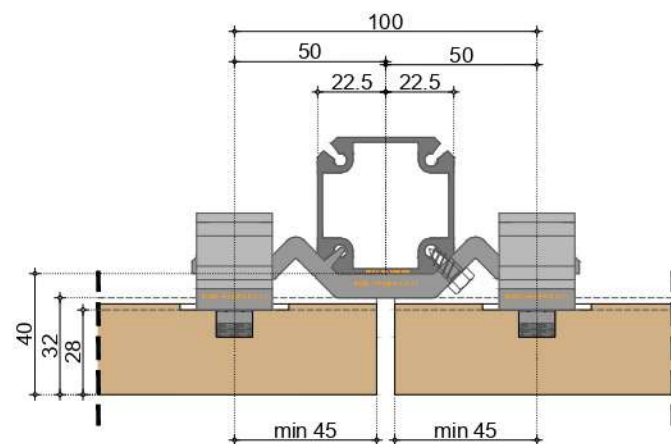
vertical section



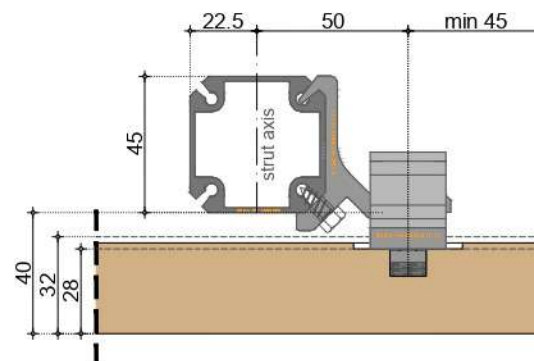
front view  
middle profile



front view  
end/corner profile

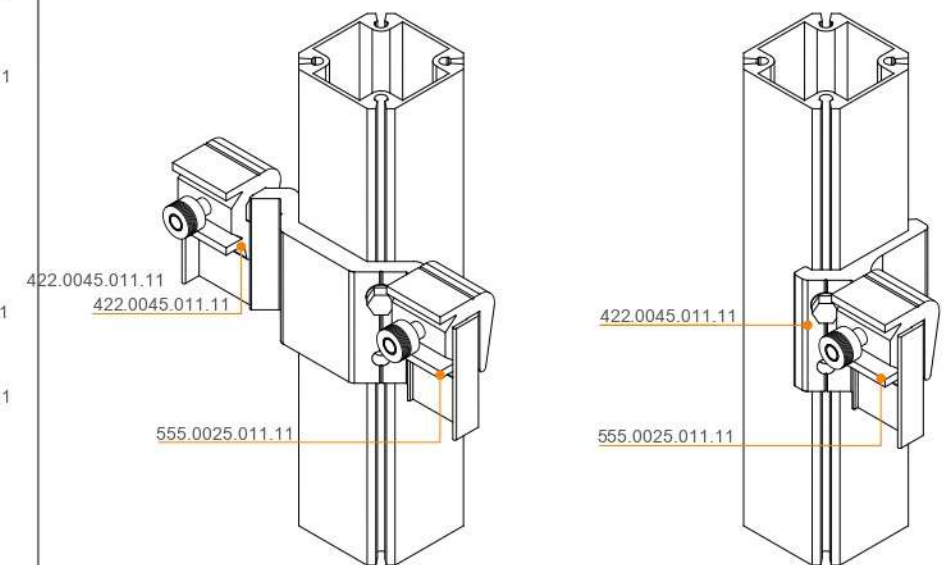


Horizontal section  
Middle profile



Horizontal section  
End/Corner Profile

Isometric view



Paper: A3

Scale: 1/2.5

www.bilda.net

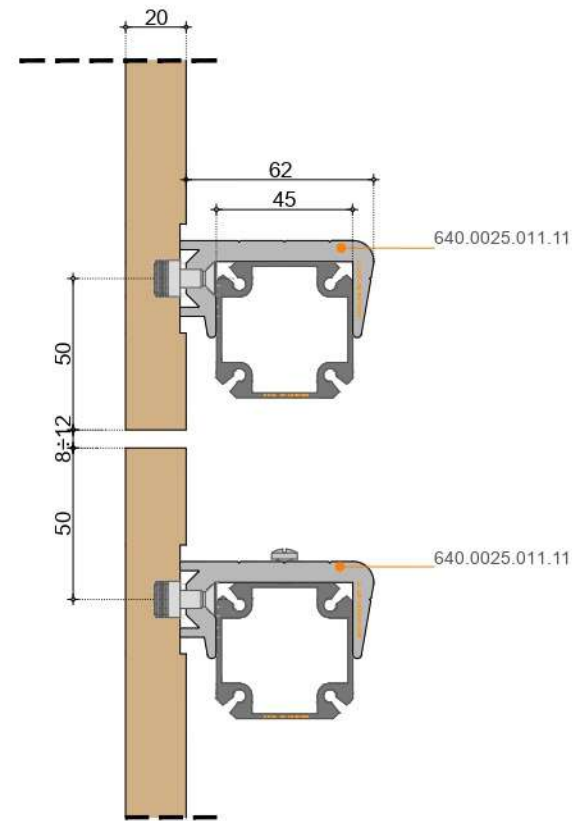
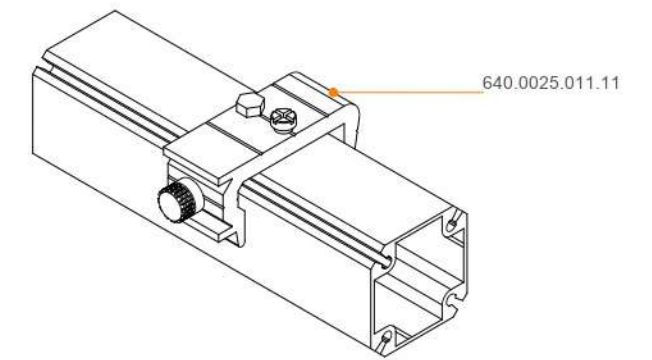
bilda@stoa.net

Back-fixing using Keep-net,  
30 mm thick panels  
vertical strut

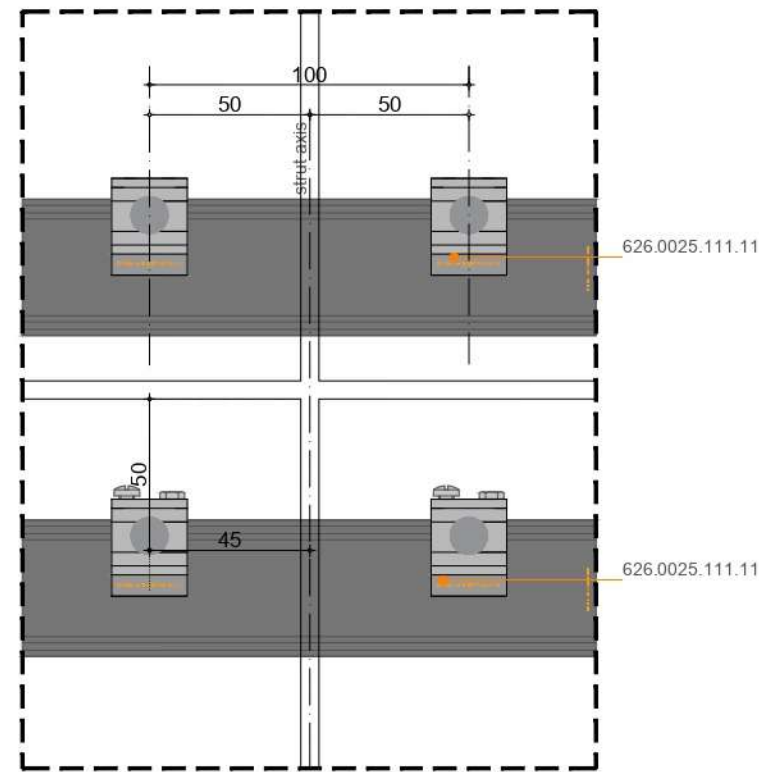
**BILDA**<sup>®</sup>  
CLADDING TECHNOLOGY



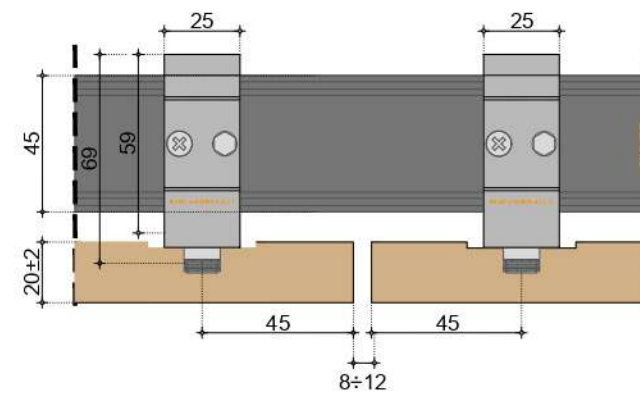
Isometric view



Vertical section



Front view



Horizontal section

Paper: A3

Scale: 1/2.5

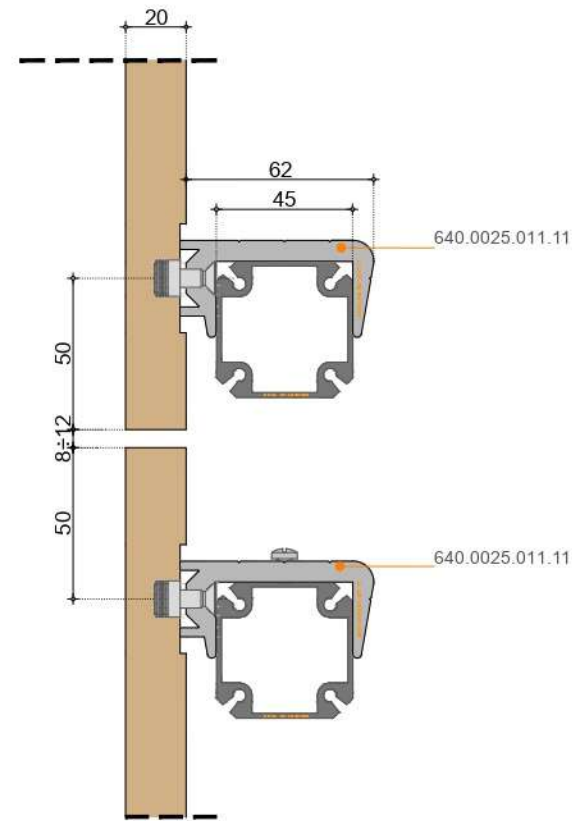
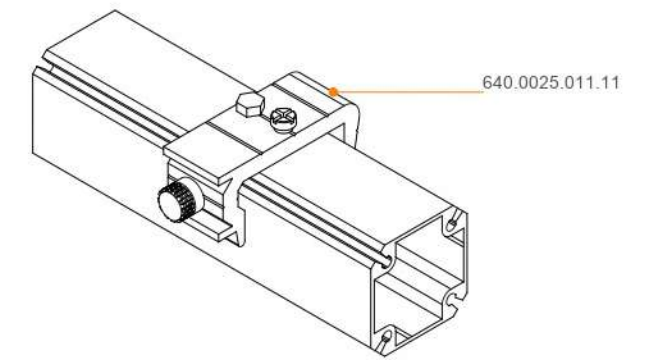
Back-fixing using Keil - 20 mm panel  
horizontal strut

www.bilda.net

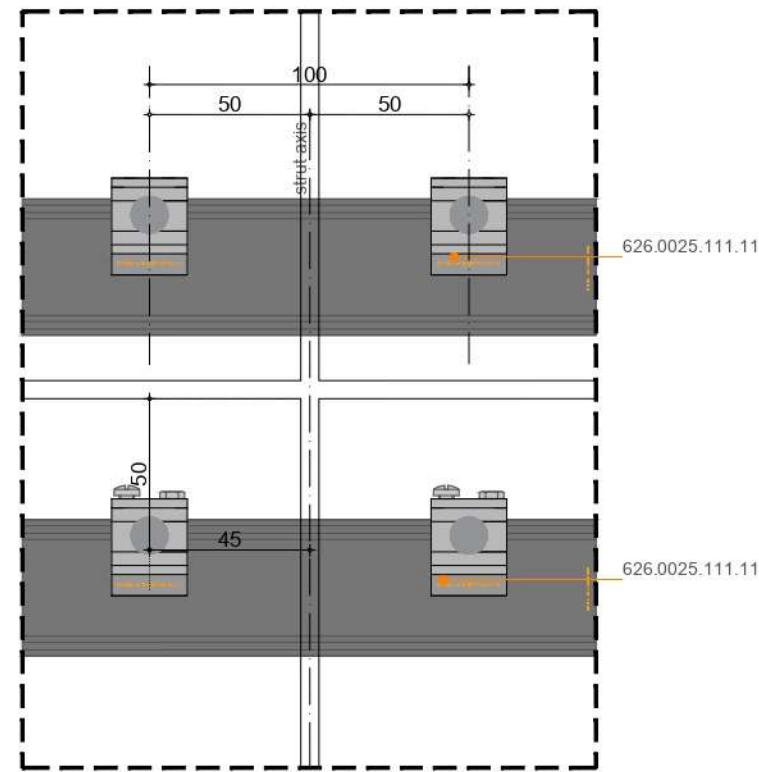
bilda@stoa.net

**BILDA**<sup>®</sup>  
CLADDING TECHNOLOGY

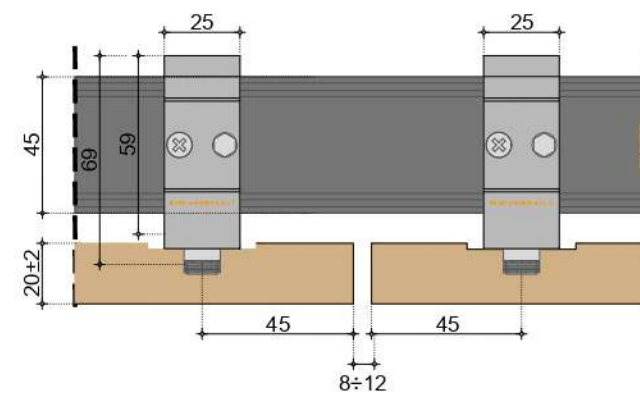
Isometric view



Vertical section



Front view



Horizontal section

Paper: A3

Scale: 1/2.5

Back-fixing using Keil - 20 mm panel  
horizontal strut

www.bilda.net

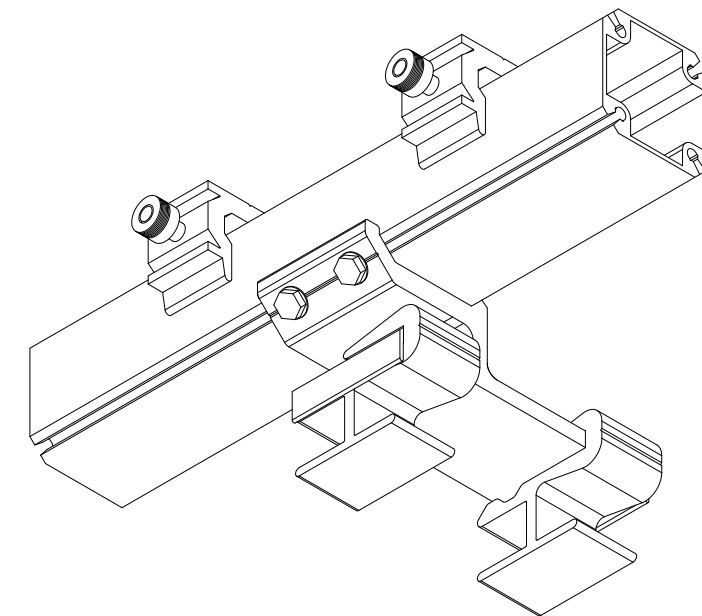
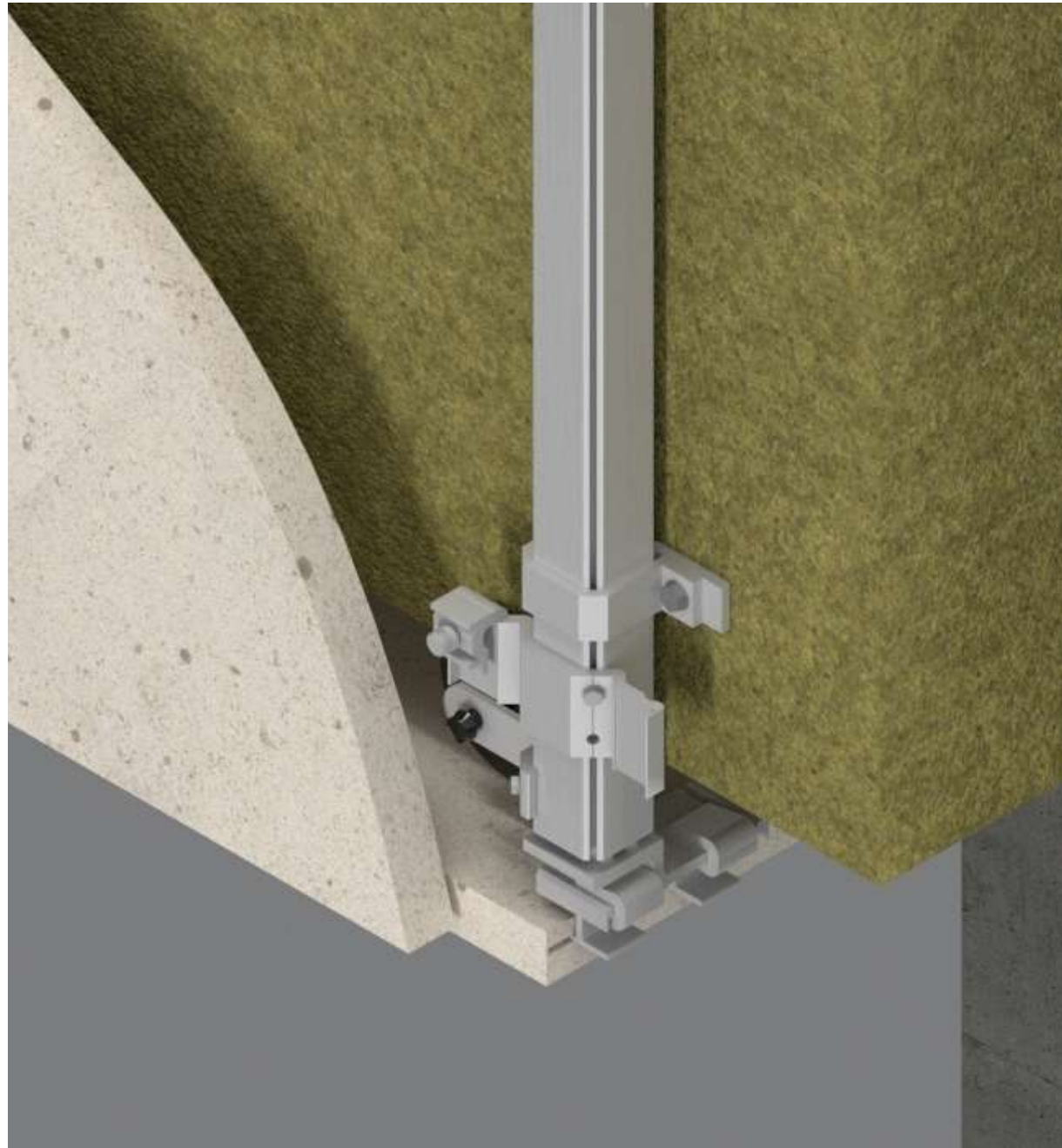
bilda@stoa.net

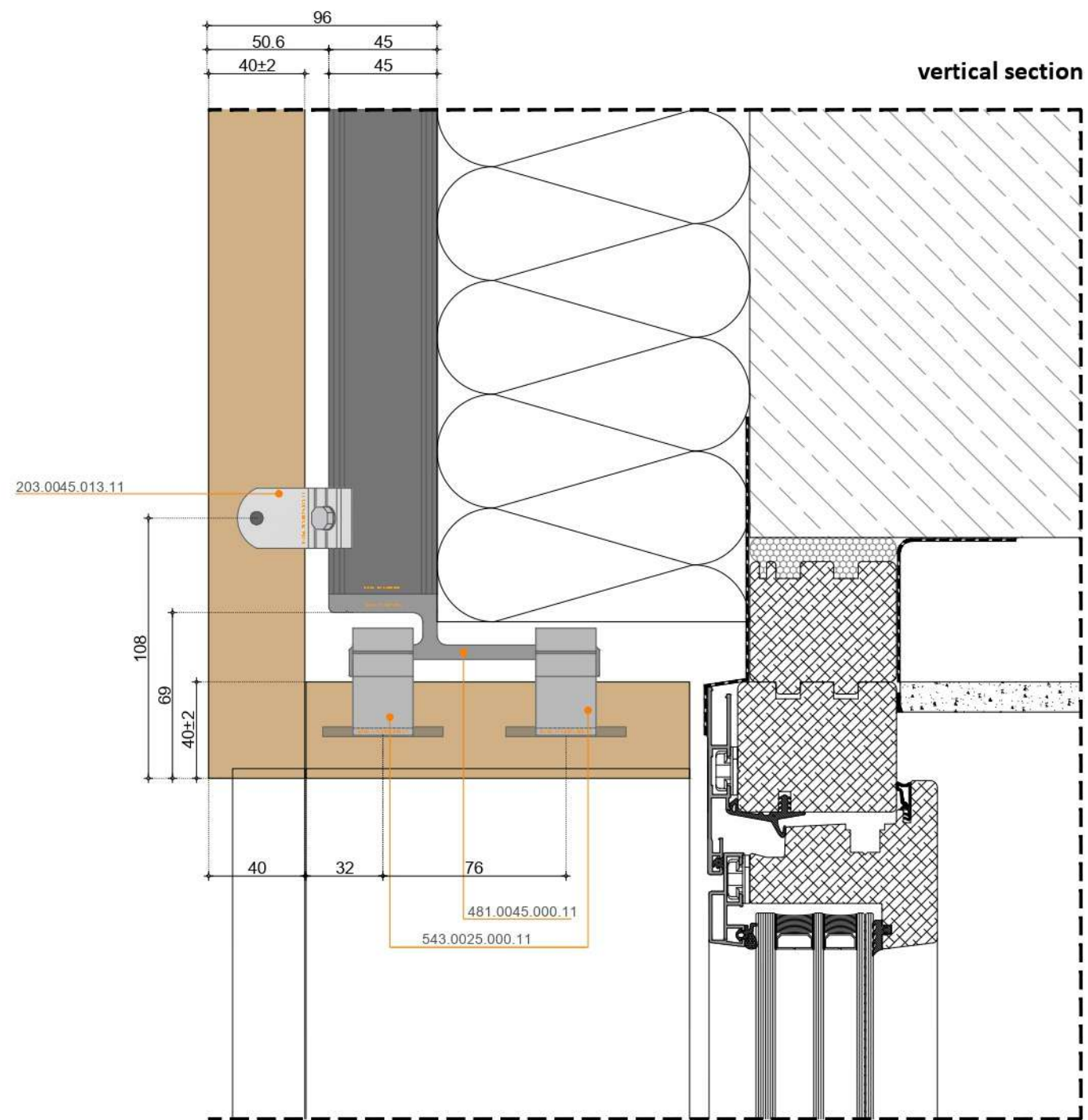
**BILDA**<sup>®</sup>  
CLADDING TECHNOLOGY



# Window Soffit Details

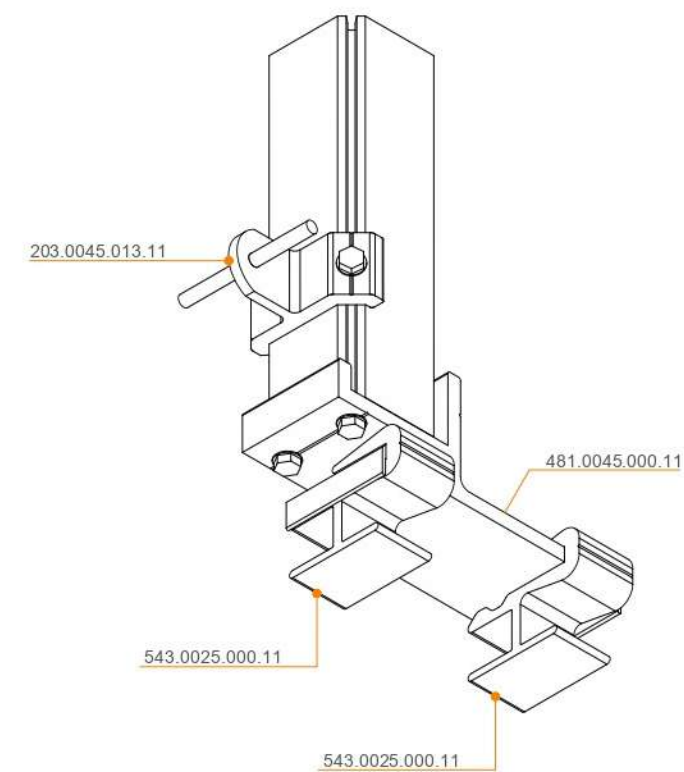
for 10-40mm panels





vertical section

Isometric view



Paper: A3

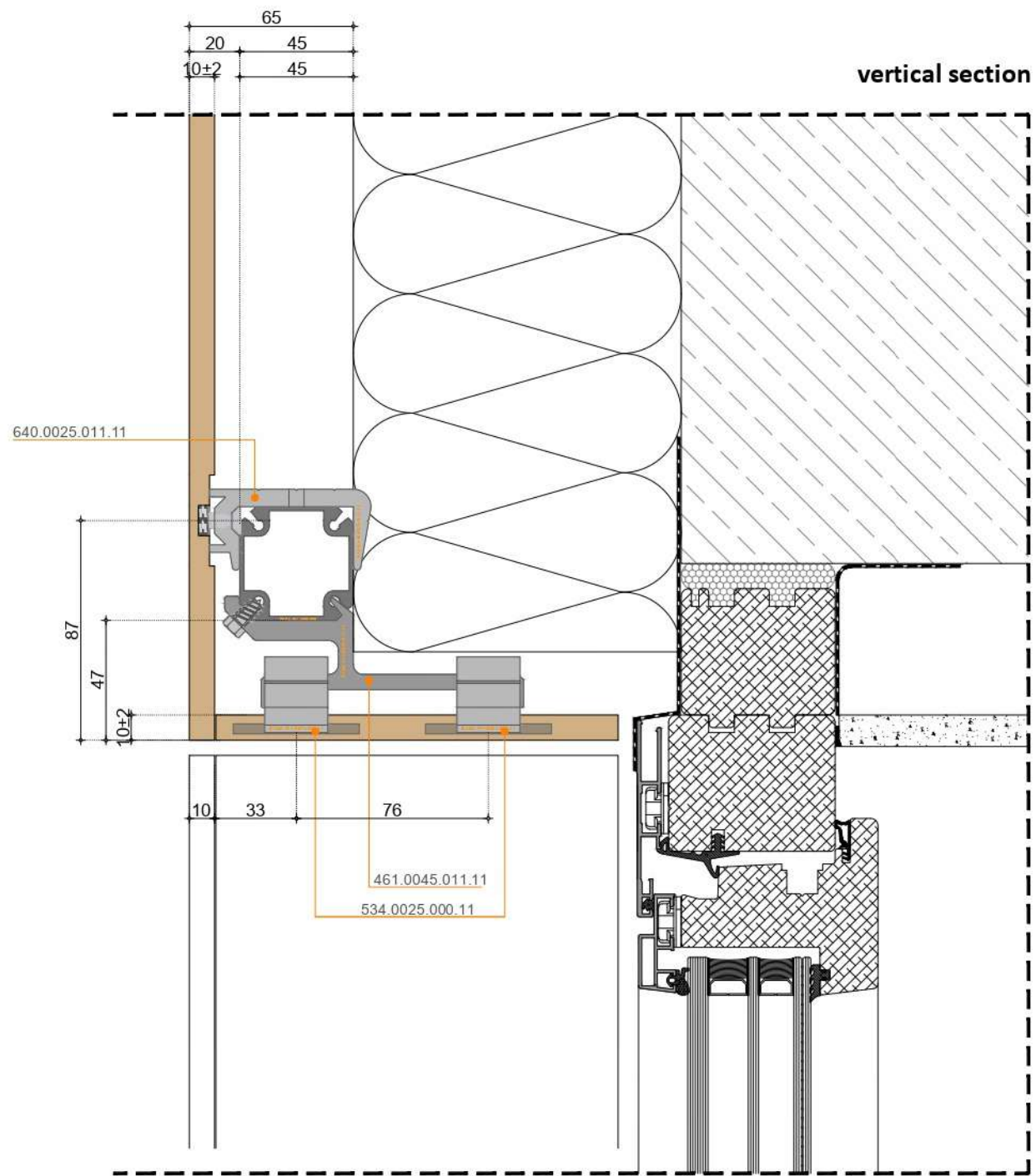
Scale: 1/2.5

Window soffit  
vertical strut  
40 mm thick panels

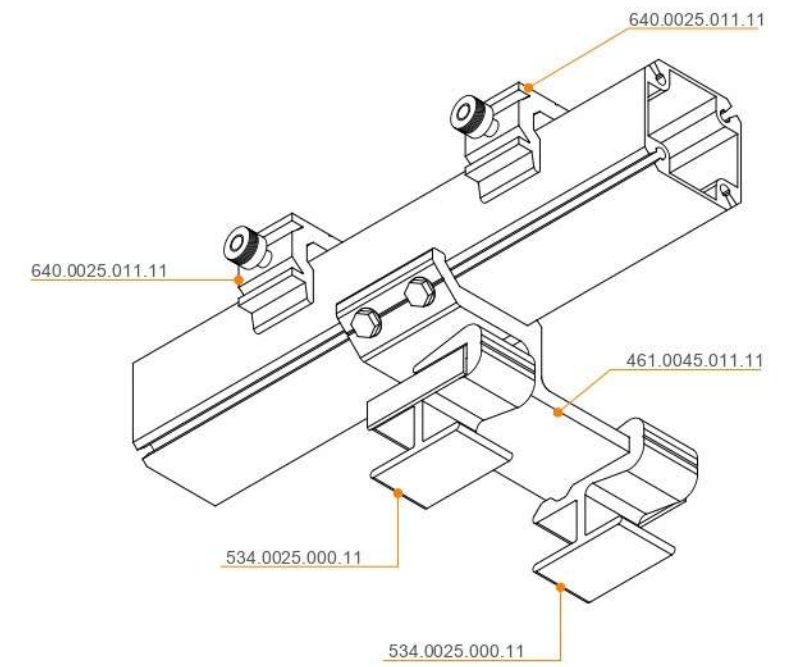
www.bilda.net  
bilda@stoa.net

**BILDA**<sup>®</sup>  
CLADDING TECHNOLOGY





Isometric view



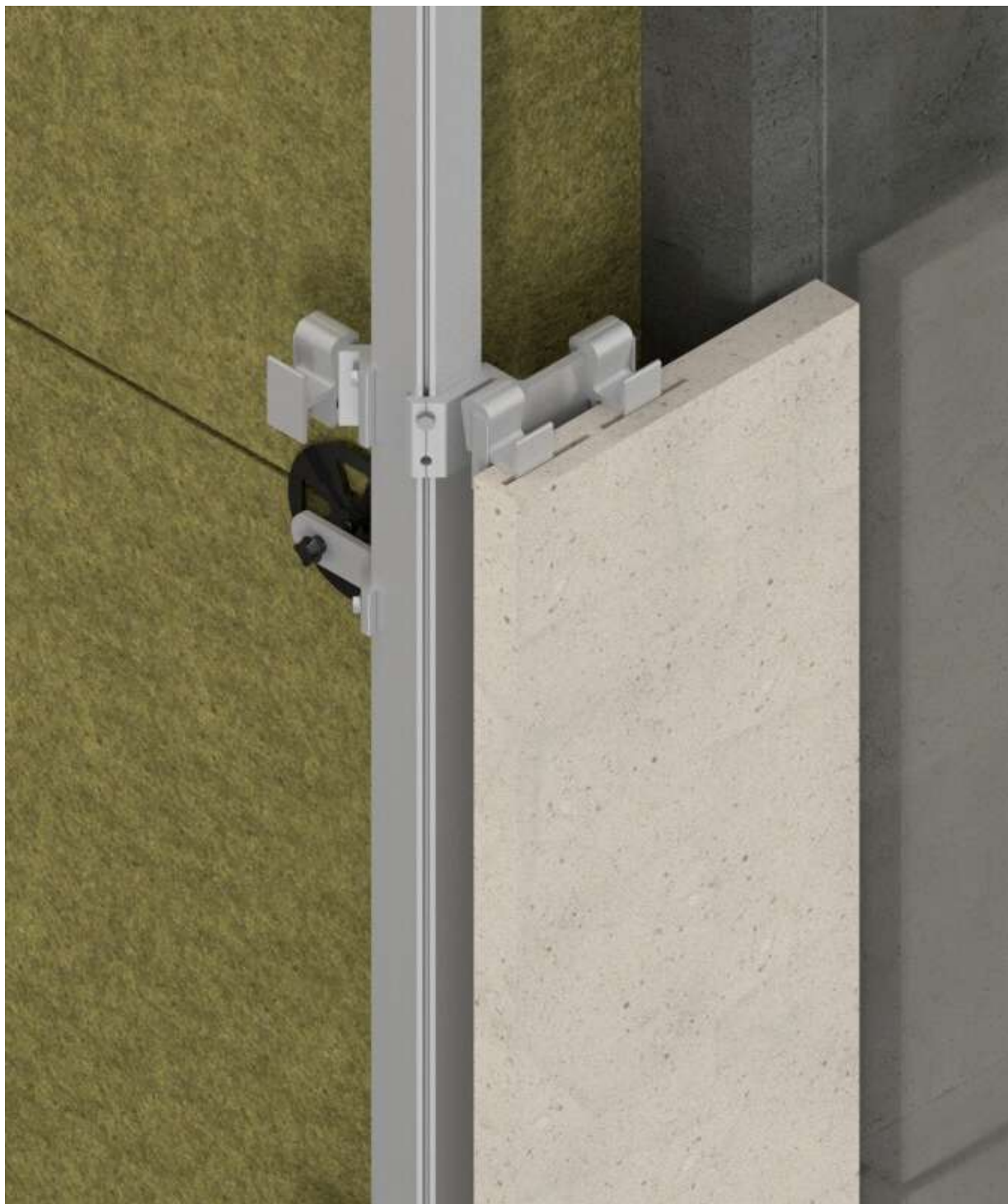
Paper: A3

Scale: 1/2.5

Window soffit  
Horizontal strut  
20 mm thick panels

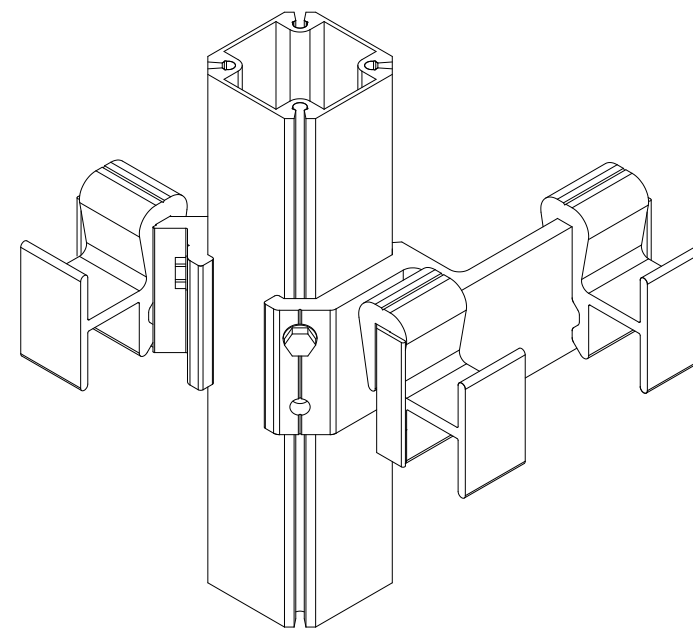
www.bilda.net  
bilda@stoa.net

**BILDA**<sup>®</sup>  
CLADDING TECHNOLOGY

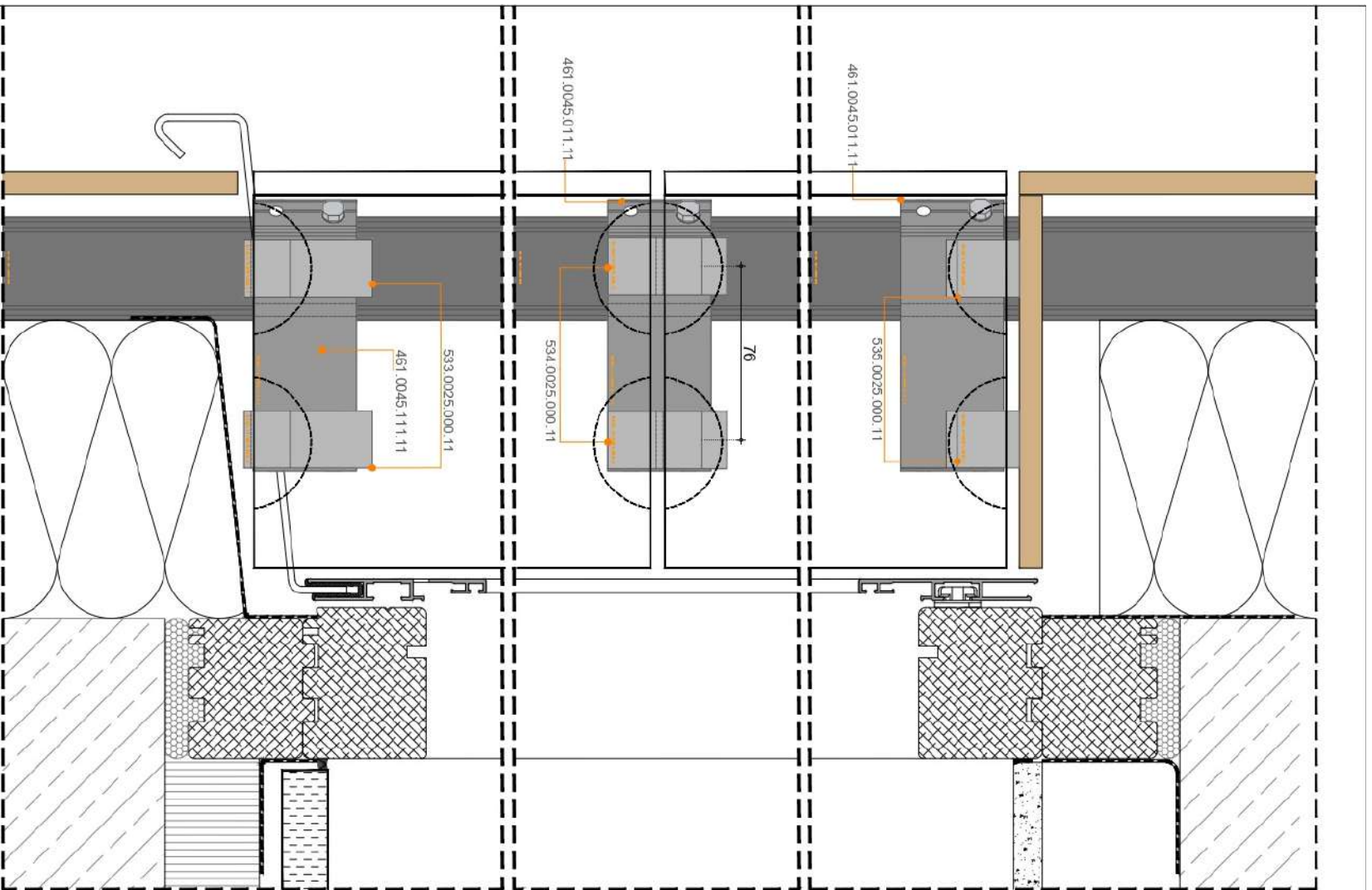


# Window Reveal Details

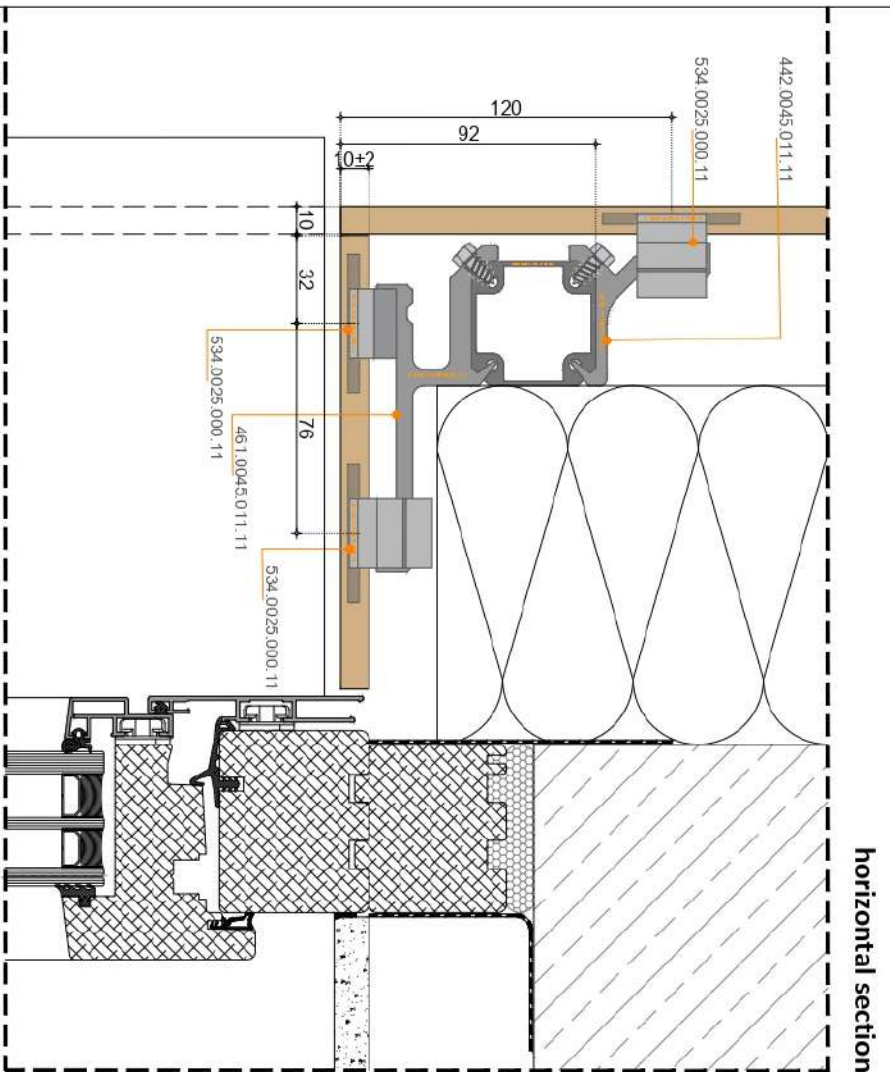
for 10-40mm panels





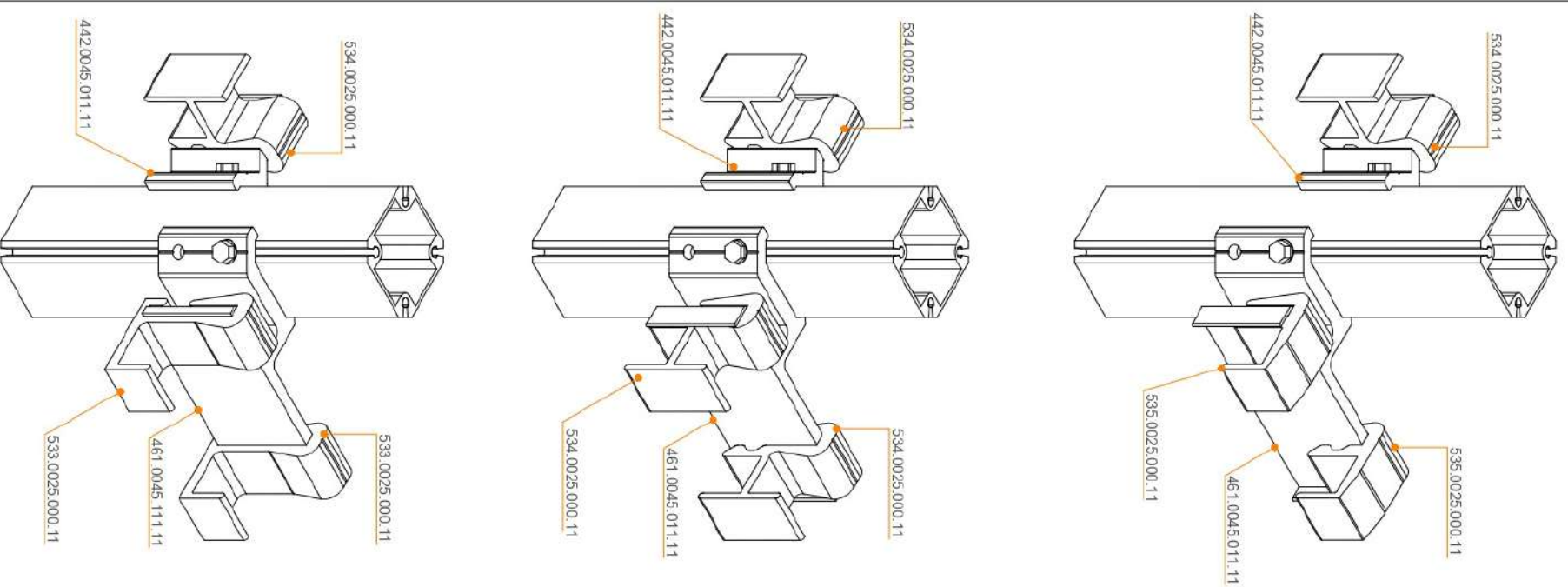


vertical section



horizontal section

Isometric view



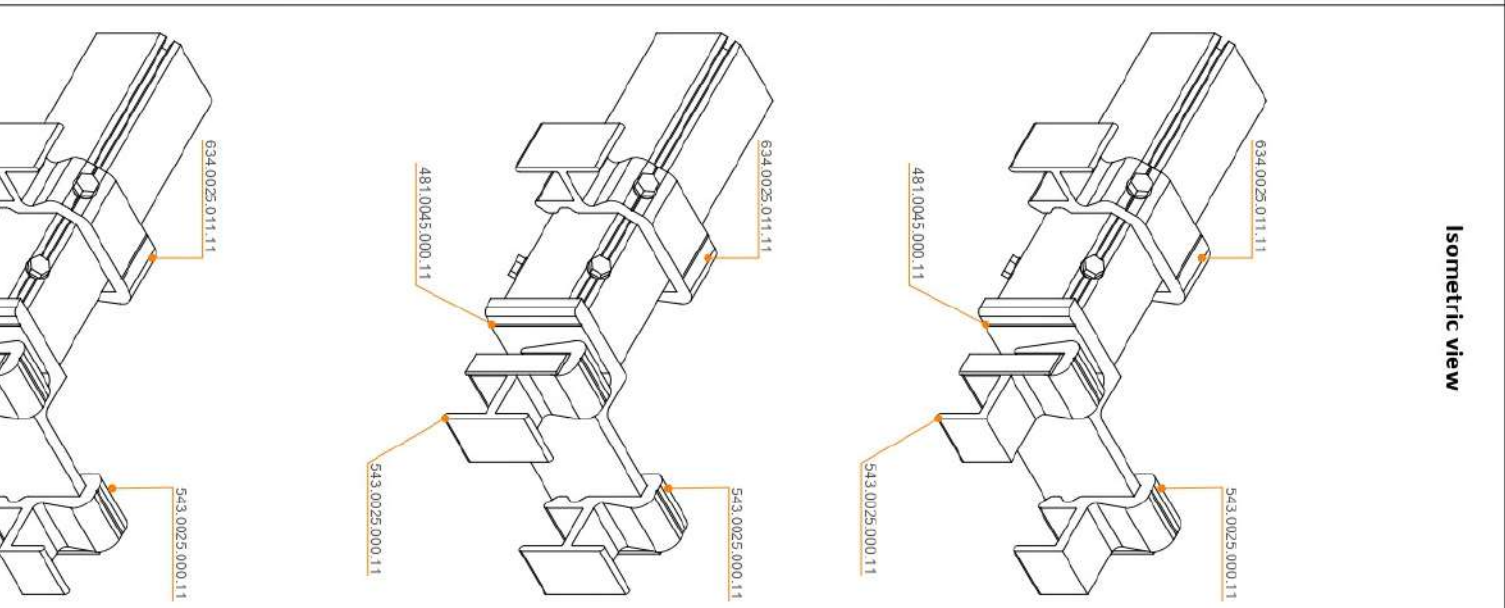
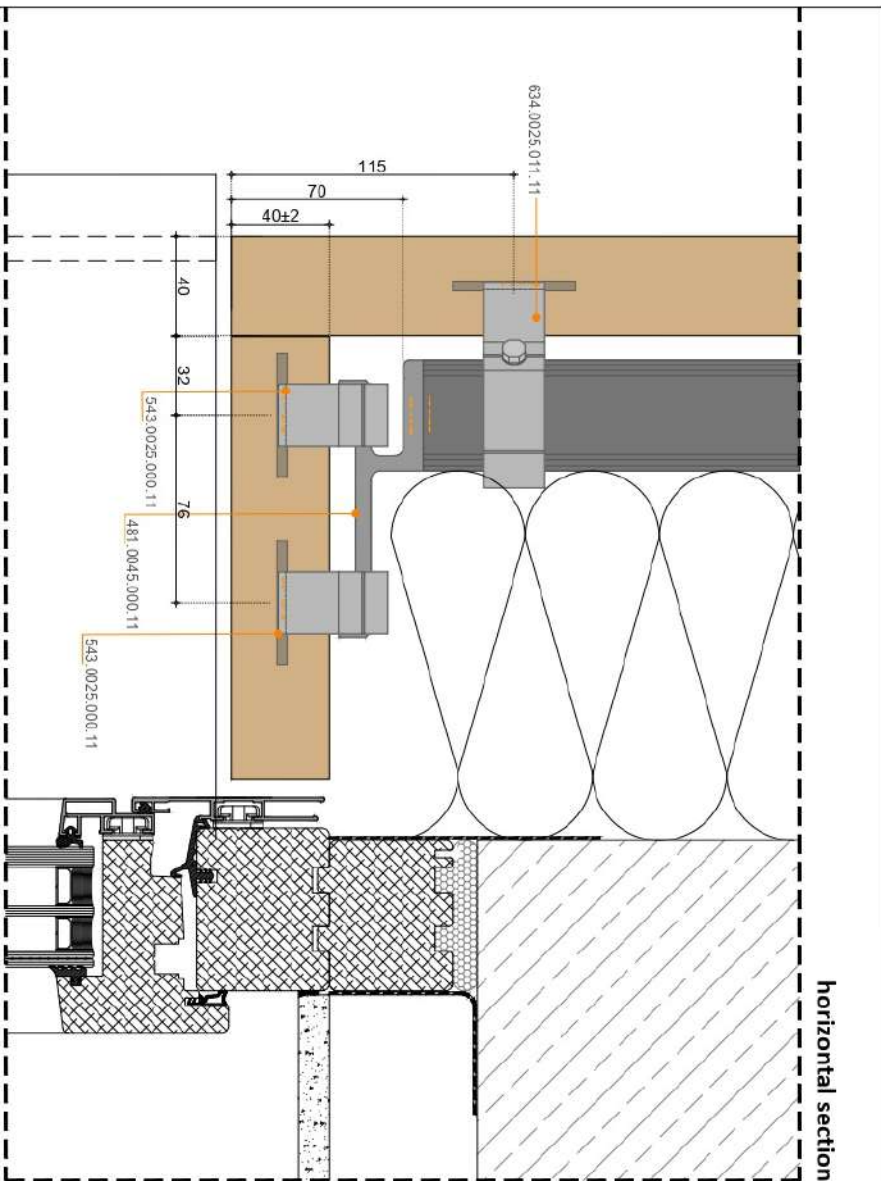
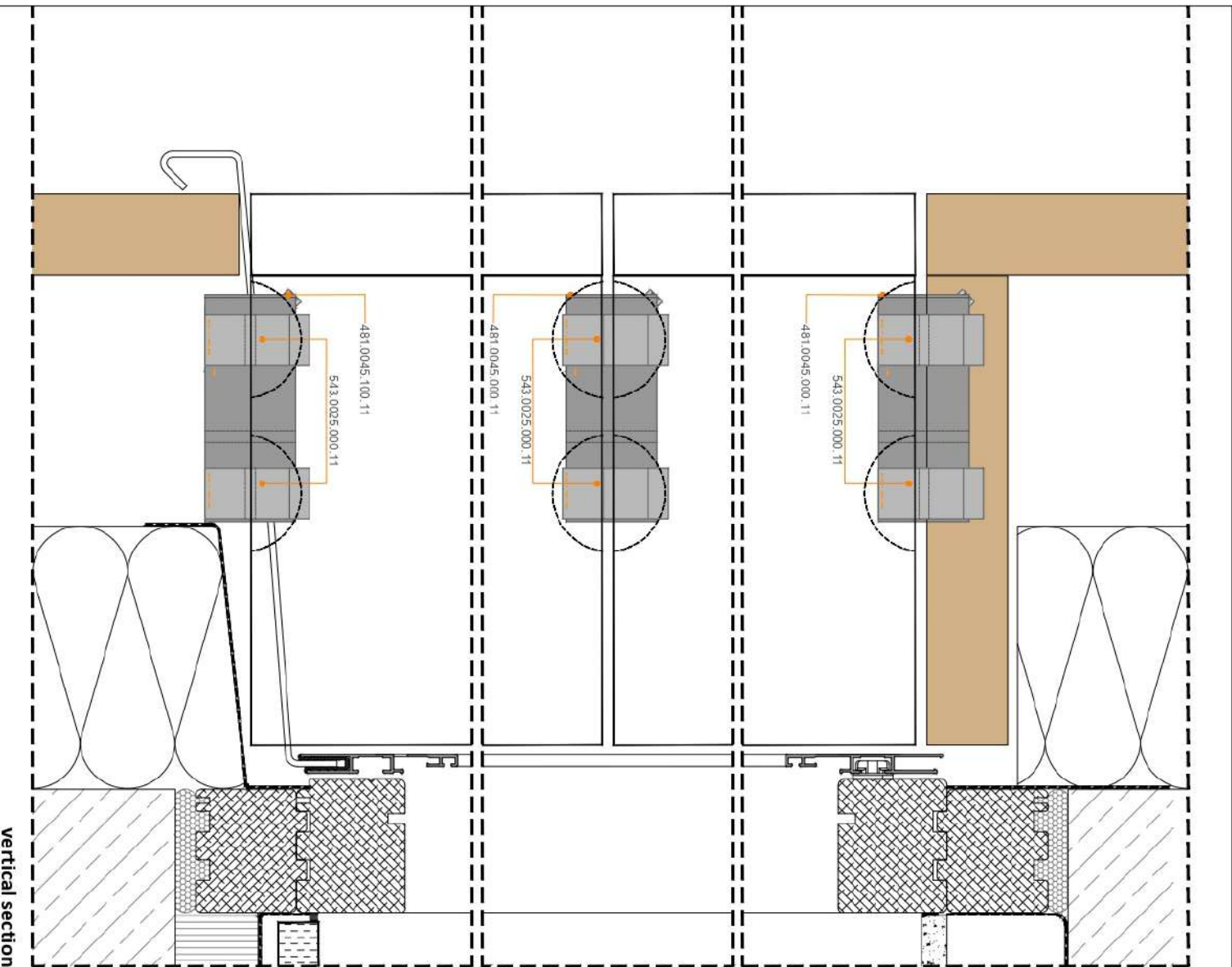
Paper: A3  
Scale: 1/2.5

Window reveal  
10 mm thick panels

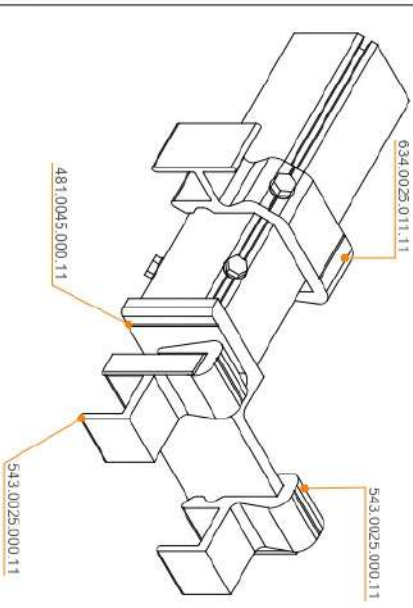
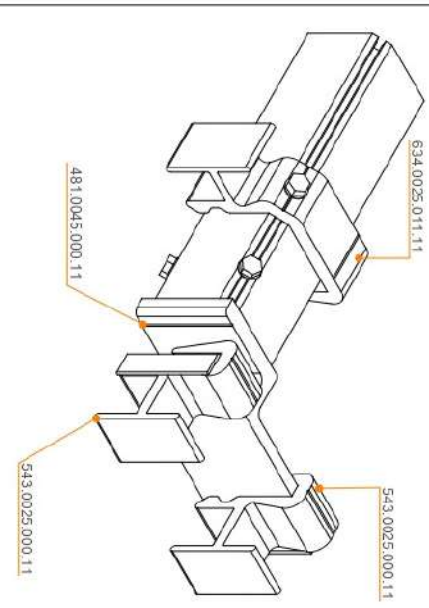
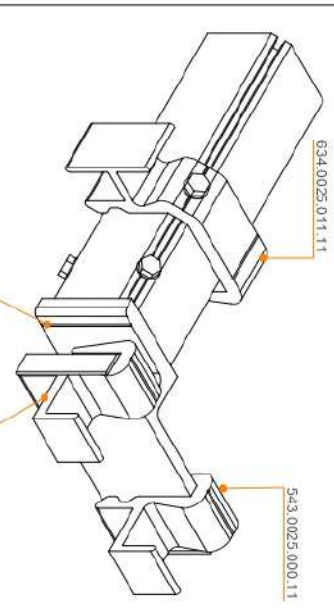
www.bilda.net  
bilda@stoa.net







Isometric view



Paper: A3  
Scale: 1/2.5  
Window reveal  
40 mm thick panels

www.bilda.net  
bild@stoa.net



## We help develop Custom Solutions too!

We help Architects and Technical Designers develop custom solutions with planning, specific project calculations complying with local regulations.

## Installation Training!

We provide individual training for planning & installation of BILDA cladding system and technology. Get started by learning industry best practices for fundamental installation skills. During the training, you will learn how to plan and install facades from the best in the field, using the BILDA system.

BILDA Training Center offers specific support for professionals and companies transitioning from direct anchoring (and other fixing methods) to profile fixing systems.

## How much does it Cost?

### Do you want to know how much would it cost to use our system for your project?

The cost estimation for a façade project is highly influenced by lot of variable parameters. So, we prepare our quotations on the project basis.

If you are working on a project, where we can help, send us the drawings of the cladding and design requirements. We will study and revert promptly with our technical solution along with the quote.

This approach would be the best way to present BILDA's qualities and unique advantages.



Visit [BILDA website](#) to discover more about our system

[Follow us on LinkedIn](#) to stay updated on our constant innovations, industry insights



[www.bilda.net](http://www.bilda.net) | [www.stoa.net](http://www.stoa.net) | [bilda@stoa.net](mailto:bilda@stoa.net)